

ABB-Welcome

M2304 Video distributor

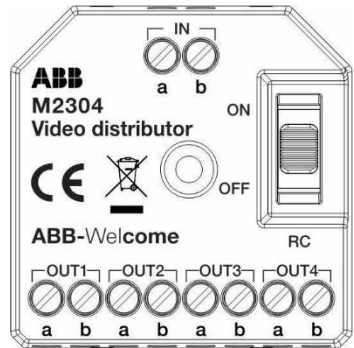


ABB-Welcome

1	Safety.....	3
2	Intended use.....	3
3	Environment	3
3.1	ABB devices	3
4	Operation	5
4.1	Control elements.....	5
4.2	Control elements.....	6
5	Technical data	7
6	Mounting/Installation.....	8
6.1	Requirements for the electrician.....	8
6.2	General installation instructions	9
6.3	Mounting.....	10

1 Safety



Warning

Electric voltage!

Dangerous currents flow through the body when coming into direct or indirect contact with live components.

This can result in electric shock, burns or even death.

- Disconnect the mains power supply prior to installation and/or disassembly!
- Permit work on the 110-240 V supply system to be performed only by specialist staff!

2 Intended use

This device is an integral part of the ABB-Welcome door communication system and operates exclusively with components from this system. This device can be mounted easily inside flush-mounted box, or surface mounted on the wall by one screw.

3 Environment



Consider the protection of the environment!

Used electric and electronic devices must not be disposed of with domestic waste.

- The device contains valuable raw materials that can be recycled. Therefore, dispose of the device at the appropriate recycling facility.

3.1 ABB devices

All packaging materials and devices from ABB bear the markings and test seals for proper disposal. Always dispose of the packaging material and electric devices and their components via an authorized recycling facilities or disposal companies.

ABB-Welcome

ABB products meet the legal requirements, in particular the laws governing electronic and electrical devices and the REACH ordinance.

(EU-Directive 2002/96/EG WEEE and 2002/95/EG RoHS)

(EU-REACH ordinance and law for the implementation of the ordinance (EG)

No.1907/2006)

4 Operation

4.1 Control elements

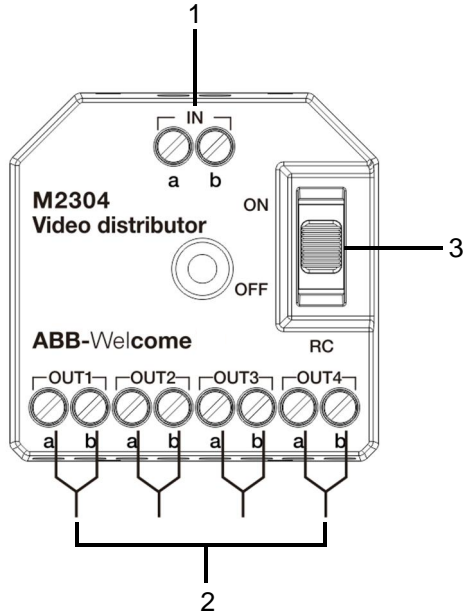
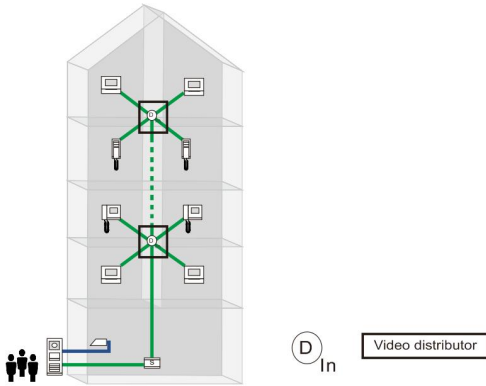


Fig. 1: Overview of control buttons

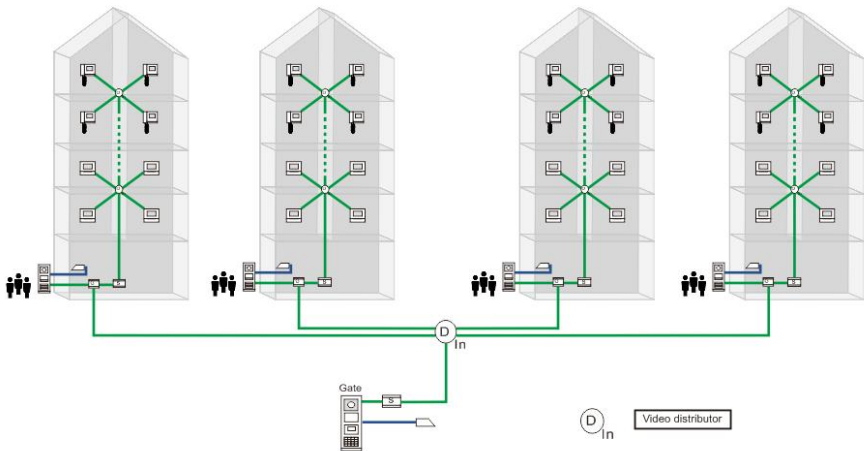
No.	Functions
1	Bus in/out
2	4 outputs for indoor stations or risers See "Operating modes" for details.
3	Terminal resistor ON/OFF. In video installations or combined audio- and video- installations, the switch must be set as "RC on" at the last device of the line.

4.2 Control elements

- A. In a building, a video distributor divides the video signal into 4 branches in connection with the indoor stations.



- B. For a residential complex, the video distributor can be used to divide the video signal into 4 risers.



5 Technical data

Designation	Value
Operating temperature	-25 °C - +55 °C
Storage temperature	-40 °C - +70 °C
Protection	IP 20
Single-wire clamps	2 x 0.28 mm ² - 2 x 0.75 mm ²
Fine-wire clamps	2 x 0.28 mm ² - 2 x 0.75 mm ²
Bus voltage	20-30 V

6 Mounting/Installation



Warning

Electric voltage!

Dangerous currents flow through the body when coming into direct or indirect contact with live components.

This can result in electric shock, burns or even death.

- Disconnect the mains power supply prior to installation and/or disassembly!
- Permit work on the 110-240 V supply system to be performed only by specialist staff!

6.1 Requirements for the electrician



Warning

Electric voltage!

Install the device only if you have the necessary electrical engineering knowledge and experience.

- Incorrect installation endangers your life and that of the user of the electrical system.
- Incorrect installation can cause serious damage to property, e.g. due to fire.

The minimum necessary expert knowledge and requirements for the installation are as follows:

- Apply the "five safety rules" (DIN VDE 0105, EN 50110):
 1. Disconnect from power.
 2. Secure against being re-connected.
 3. Ensure there is no voltage.
 4. Connect to earth.
 5. Cover or barricade adjacent live parts.
- Use suitable personal protective clothing.
- Use only suitable tools and measuring devices.
- Check the type supply network (TN system, IT system, TT system) to secure the following power supply conditions (classic connection

to ground, protective earthing, necessary additional measures, etc.).

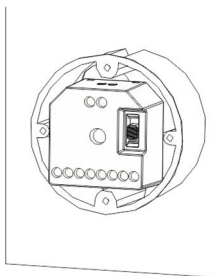
6.2 General installation instructions

- Terminate all branches of the wiring system via a connected bus device (e.g., indoor station, outdoor station, system device).
- Do not install the system controller directly next to the bell transformer and other power supplies (to avoid interference).
- Do not install the wires of the system bus together with 100-240 V wires.
- Do not use common cables for the connecting wires of the door openers and wires of the system bus.
- Avoid bridges between different cable types.
- Use only two wires for the system bus in a four-core or multi-core cable.
- When looping, never install the incoming and outgoing bus inside the same cable.
- Never install the internal and external bus inside the same cable.

6.3 Mounting

Device M2304 can be easily mounted in the flush-mounted box or surface mounted on the wall by a screw.

Mounted with flush-mounted box



Mounted on the wall

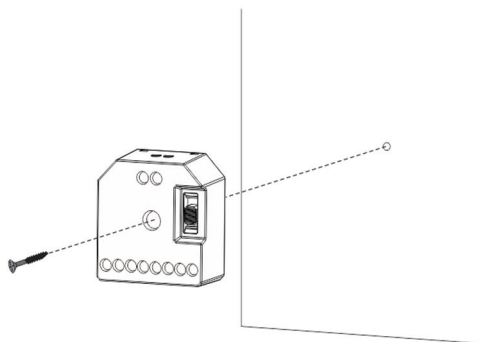


ABB-Welcome

Notice

We reserve the right to make technical changes at any time as well as changes in the content of this document without prior notice.

The detailed specifications agreed to at the time of ordering apply to all orders. ABB accepts no responsibility for possible errors or incompleteness in this document.

We reserve all rights to this document and the topics and illustrations contained therein.

The document and its contents, or extracts thereof, must not be reproduced, transmitted or reused by third parties without prior written consent by ABB.