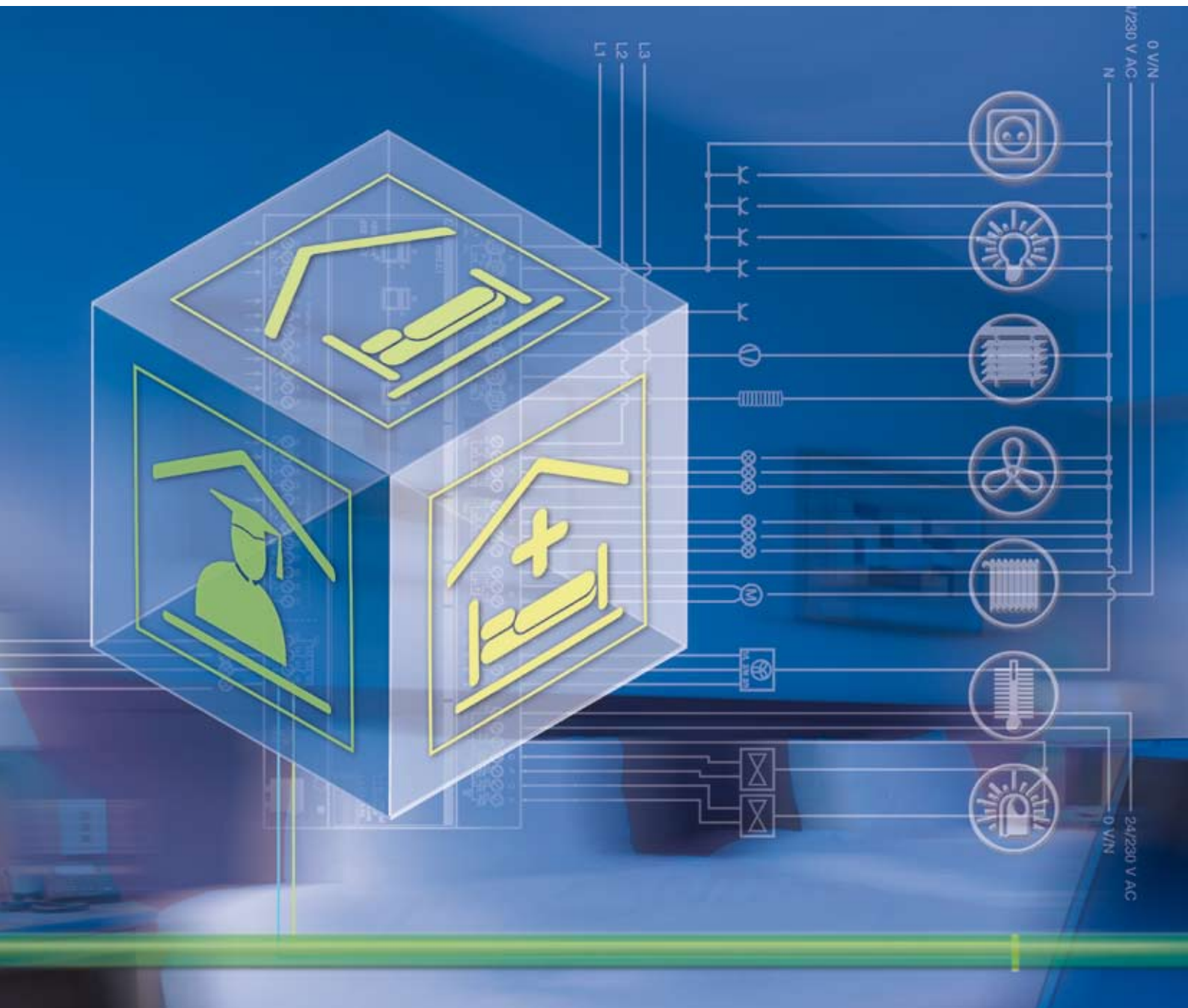


# ABB i-bus® KNX Room Master

Smart Home and  
Intelligent Building Control  
for Hotel Rooms and Apartments





# Smart Home and Intelligent Building Control for Hotel Rooms and Apartments



**Modern buildings need intelligent building control systems in order to operate safely and efficiently. The full potential of many buildings worldwide is being achieved only through use of such a networked electrical installation.**



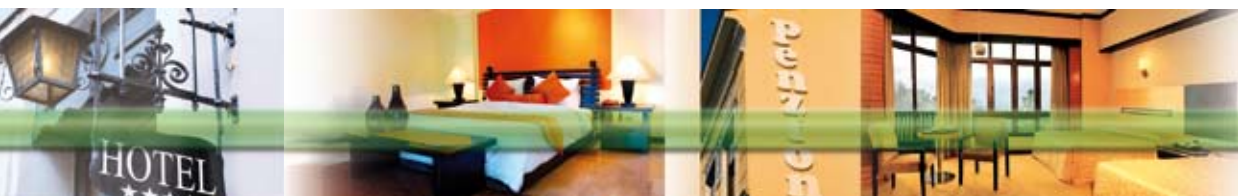
Hotels, hospitals, student residences, assisted living facilities, apartments and many more – the Room Master opens up new possibilities for properties in the residential and hotel sectors.

The Room Master was developed for all rooms of this type. It covers all the electrical installation requirements for this application and offers the following functions in a compact unit:

- Light switching
- Heating/air-conditioning control
- Shading (via blinds or curtains)
- Switching of socket outlets and consumers

In addition to these basic functions, further automation functions can be realised by combining the system with a presence detector. The communication of the devices via the KNX bus also enables central control functions and allows emergency signals to be sent from the rooms to a central control station.

Connection to a hotel management system enables the rooms to be managed and prepared efficiently. For instance, when a guest checks out, the room can automatically be set to stand-by operation.



## Room Master: Areas of use



### Hotels



The Room Master Premium offers all the functions required in a modern hotel room.

Once it is in operation, it provides a whole range of advantages over a conventional installation.

- Convenient and simple operation of the room functions by guests
- Temperature control depending on the time of year, outdoor temperature and occupancy
- Transmission of messages to the reception (e.g. clean room, emergency signal)
- Fast localisation of malfunctions in rooms and simplified room maintenance

The benefits of the Room Master are evident not only in operation, but also in the planning stage:

- Can be used anywhere in the world
- Compact design: can be installed in a simple sub-circuit distribution board together with circuit breakers
- One standard solution for many projects

### Hospitals



When used in hospitals and facilities with a similar purpose, the Room Master boasts an array of functions which support the efficient operation of a modern building.

- Simple operation of the room functions by the patients
- Automatic control of the room environment
- Day/night switching
- Display of visits
- Remote control of the room and display of the room status at the nurses' station
- Fast localisation of malfunctions in rooms and simplified room maintenance



## Assisted living



The Room Master provides comfort and security in residential homes and supports senior citizens in their daily life.

- Simple operation of the room functions
- Automatic control of the room environment
- Automatic transmission of messages (e.g. emergency calls) to the central control station
- Fast localisation of malfunctions in rooms
- Display of the room status at the central control station
- Day/night switching

## Apartments



The Room Master provides greater attractiveness and improved quality of life for apartment habitants, both of which are deciding factors for sale or rental.

- Automatic switching of different lighting in the room
- Automatic control of heating and air-conditioning
- Shading via blinds or curtains
- Convenient and simple operation of room functions

## Planning and installation: Simple, economic, functional



Its compact design means that the Room Master can be fitted easily into any sub-circuit distribution board. It offers functionality which would otherwise have to be provided by several individual devices.

Thanks to its connection to the globally standardised KNX bus system, special requirements can also be realised by interlinking with other devices. This offers the planner a large number of advantages.

### Room Master: Efficient room management

- Simple planning
- Structured cabling
- Combination with further KNX devices
- Planning reliability through the global KNX standard according to IEC 14543
- Reproducibility of rooms during planning
- Can be used anywhere in the world
- Integration of further sections via KNX or IP

### Pre-parameterised functions

The Room Master can be put into operation quickly using the pre-parameterised functions, the inputs and outputs of which are already connected for the typical application – for example that of a hotel room.

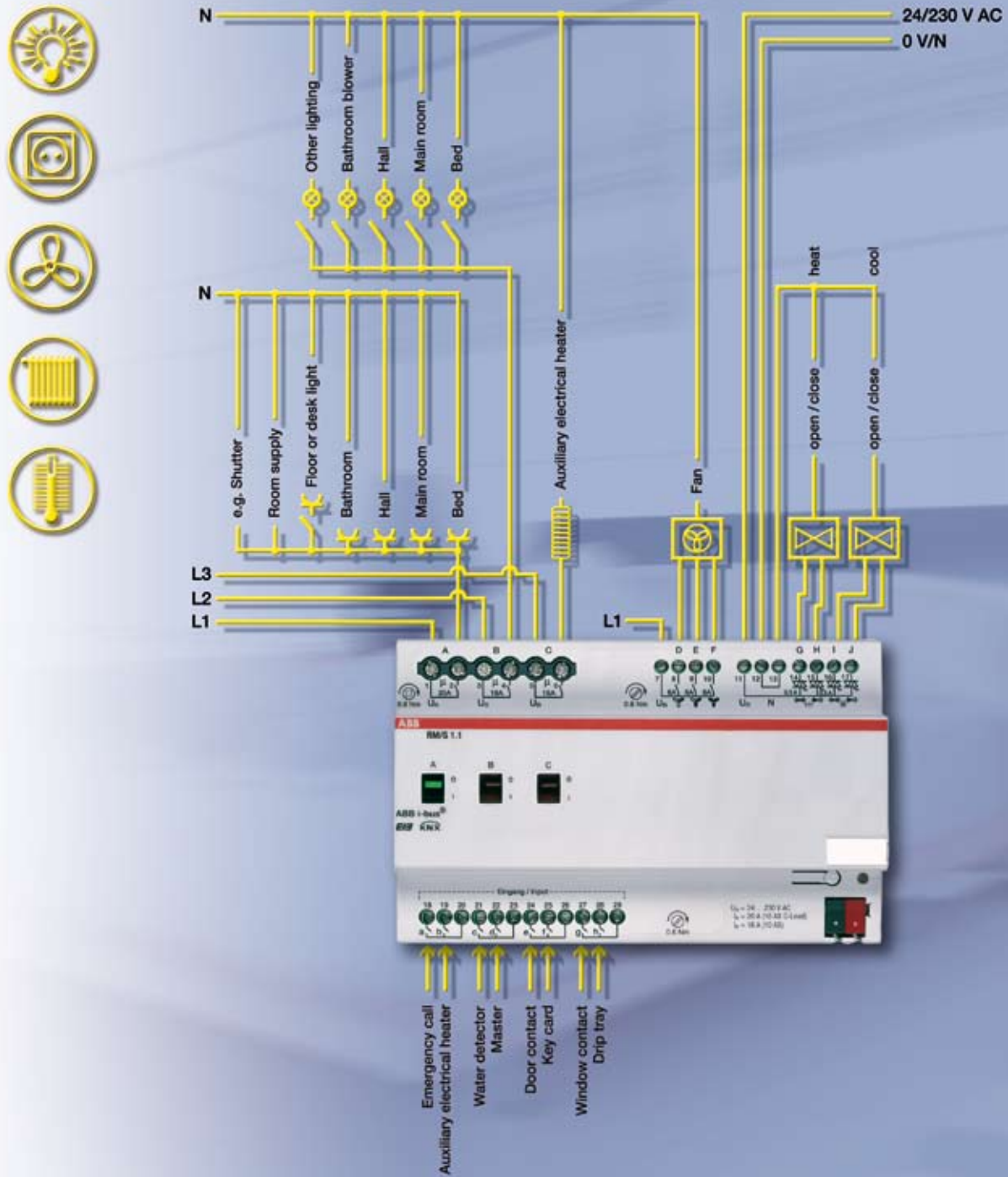
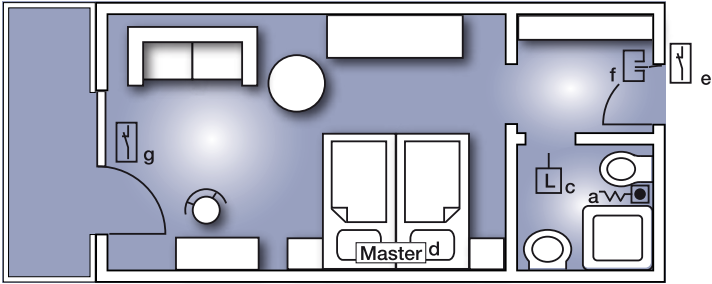
### One compact device – many functions

Further planning advantages are:

- No auxiliary voltage necessary, as power is supplied via the KNX bus system
- Central functions and remote control via KNX
- An application in the ETS (Engineering Tool Software), simple copying of devices
- Local automation

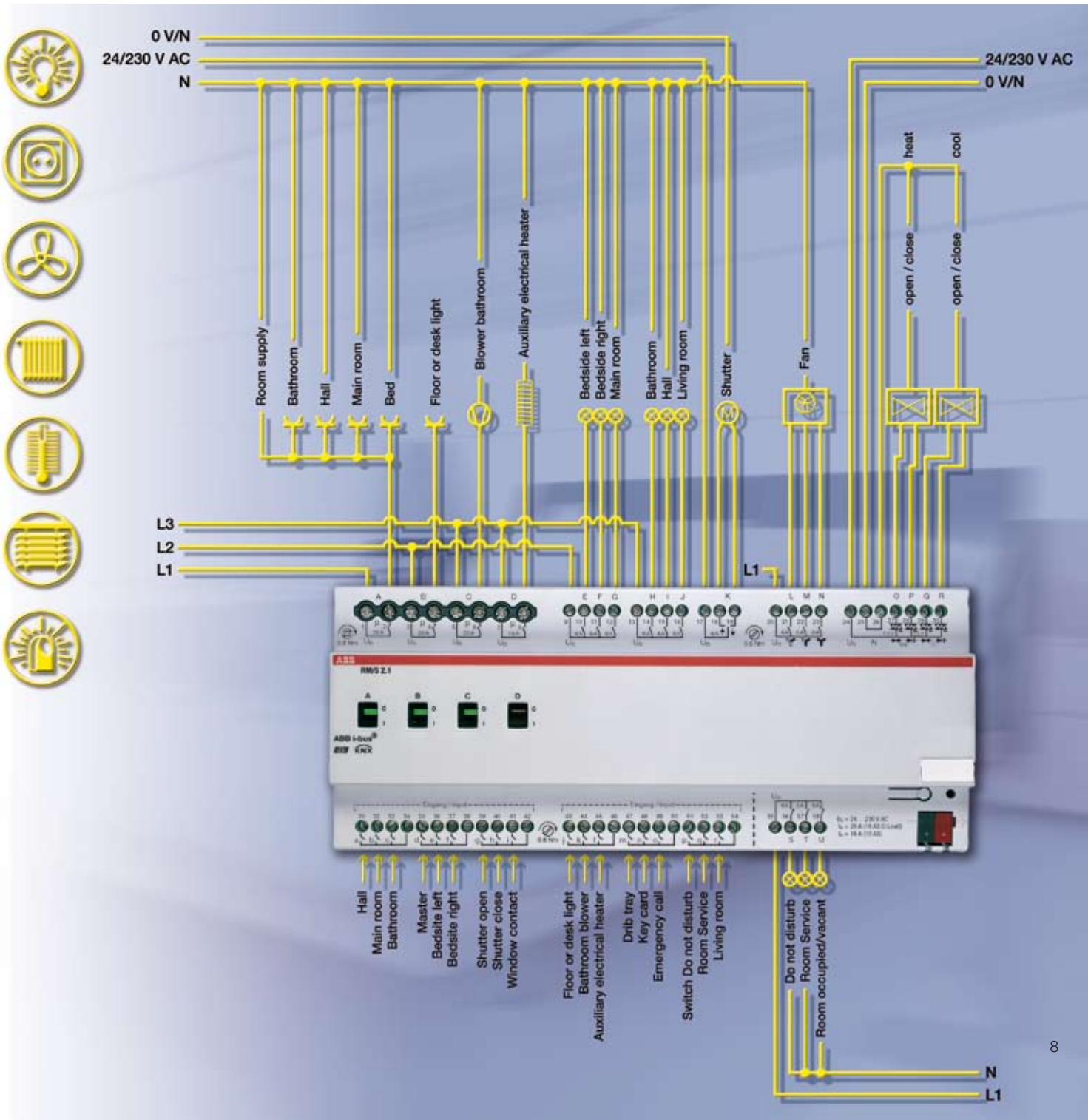
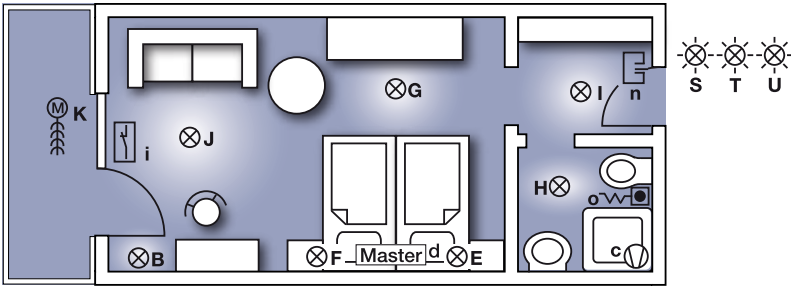
# Room Master Basic RM/S 1.1

## Installation example



# Room Master Premium RM/S 2.1

## Installation example





## The Room Master is available in two versions:



The **Room Master Basic RM/S 1.1** is a version for simple applications which automate the basic functions of a room.



With more inputs and outputs, the **Room Master Premium RM/S 2.1** offers additional functions for comfortable living.

	<i>RM/S 1.1</i>	<i>RM/S 2.1</i>
<b>Inputs</b>		
Binary via contact interrogation	8	18
<b>Outputs</b>		
Switching contact 20 A (16 AX)	1	3
Switching contact 16 A (10 AX)	2	1
Switching contact 6 A	3	12
Electronic 0.5 A	4	4
Change-over contact for blind 6 A	–	1
<b>Size</b>		
Module width in space units of 18 mm	8	12

### Ordering information

<i>Type</i>	<i>Detail</i>	<i>Order code</i>	<i>bn 40 16779 EAN</i>	<i>Weight 1 pc. (kg)</i>
<b>RM/S 1.1</b>	<i>Room Master, Basic</i>	<i>2 CDG 110 094 R0011</i>	<i>66556 8</i>	<i>0.3</i>
<b>RM/S 2.1</b>	<i>Room Master, Premium</i>	<i>2 CDG 110 095 R0011</i>	<i>66567 4</i>	<i>0.55</i>



**ABB STOTZ-KONTAKT GmbH**

Eppelheimer Straße 82  
69123 Heidelberg  
Germany

[www.abb.com/knx](http://www.abb.com/knx)

The information in this brochure is subject to change without further notice

(04.08 – 2 – GOD)

Print no. 2CDC-514-042-B0201