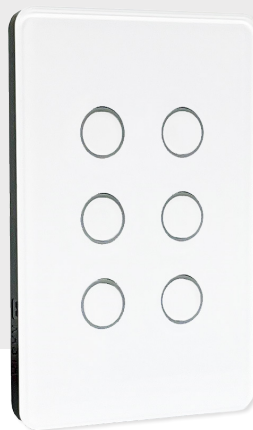


# HESPERUS™ Series

## Push Remote Switch

HRSMB



### 1 to 6-Button push remote control switch

#### FEATURES

- Slim (11mm plate depth), contemporary glass-look design with choice of 3 luxury colours
- UV stabilised to avoid discolouring
- Soft push buttons (with audio feedback) can be programmed to perform a variety of in-room and whole home control functions, for remote control of all KASTA devices
- Proximity sensor activates the device for use
- Button labelling: choose pictogram button caps for a personalised design
- Flexibility to program and re-program during and after commissioning
- 8-way multiway control with KASTA dimmer/switch
- Short press for ON/OFF control, long press for dimming or fan speed control
- Timer (when enabled) supports 2 modes; ON>OFF and OFF>ON and retriggered on a button press
- Reliable Bluetooth® mesh network connectivity to all your KASTA devices
- Fits standard first fix mounting accessories (e.g. C-clips, nail brackets, wall boxes). Flush mounting centres (not recessed) for quicker installation. Backed off terminal screws and deep tunnels allow fast fitment of cables. Insulated screw caps hinged to the grid plate to provide IP2X rating on mounting screws.
- iOS and Android app setup and control
- 3 year warranty

#### ORDERING CODE

<b>H1RSMB-WH</b>	
(number of buttons)	(plate finish)
1 - One button configuration	WH - White
2 - Two button configuration	BK - Black
3 - Three button configuration	MT - Mint
4 - Four button configuration	
5 - Five button configuration	
6 - Six button configuration	

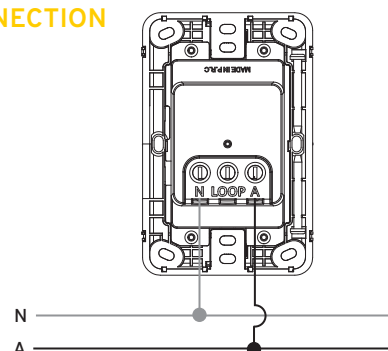
#### SPECIFICATIONS

Power Supply	220-240V a.c.
Operating Ambient Temperature	-20 to 40°C
IP Rating	IP20
Plate Depth	11mm
Terminal Size	16mm <sup>2</sup> (accommodates 4x2.5mm <sup>2</sup> cables)
Terminal Screw Type	Flat Terminal Screw
Mounting Points	84mm / 100mm and Corners
Mounting Screw Type	Combination Flat / Philips Head Screws
Frame Colour / Finish	Black Matte
Plate Colour / Finish	3 colours (see below) / Transparent
Housing Material	Acrylic / Polycarbonate (PC)
LED Indicators	Blue, White, Green
Standards Complied	AS/NZS 62368.1, AS/NZS 4268, AS/NZS CISPR 32

#### COLOURS



#### CONNECTION



#### DIMENSIONS

