

PageMatrix™



PageMatrix™ Command Center

Among the most complex applications in the commercial audio industry, paging is now made easy with PageMatrix™, our basic paging plug-in for NION® Series and MediaMatrix® frame-based audio processing systems. The PageMatrix Command Center™ is a paging management system for integration with the NION, Mainframe™, or Miniframe™ Series. With PageMatrix™, paging system design is simplified with intuitive, cost-effective paging products. A

stand-alone software application, paging controller and a host of remote paging stations provide an integrated and flexible approach for many paging applications. With MediaMatrix DSP processing at the core, PageMatrix provides the end user with simple, transparent access to MediaMatrix's powerful routing capabilities. With the integral WavePlayer software device, remote access of pre-recorded messages is only a button away.

- Up to 16 station are powered via CAT 5 cable terminated by an RJ-45 connector
- 99 page zones available via MediaMatrix
- 24VDC input for emergency back-up of stations
- Supports up to 4 MediaMatrix DSP headend systems
- Supplies 24VDC to remote stations
- Requires two rack spaces
- Euro connectors provide audio connections from Command Center to a NION, BoB, or CAB



PageMatrix™ Station Four-W™

The PageMatrix™ Station Four-W™ is a flush wall-mount, four-button, four-zone paging station. The Station Four-W has a convenient, electronically balanced 5-pin XLR low-Z microphone input.

- Four zone presets, programmable via PageMatrix command center
- Electronically balanced inputs
- Mic level control +25dBu full scale
- Electronically balanced output
- Handheld push-button mic
- 5-pin XLR low-Z mic input
- Powered by 24 VDC from command center
- Robust RS-485 communication
- Standard NEMA 4G mounting with 2" deep backbox
- Simple one wire interconnect using RJ-45 standard connectors and CAT 5 cable

Features and specifications subject to change without notice.





PageMatrix™

PageMatrix™ Station Four

The PageMatrix™ Station Four™ is a four-button, four-zone desktop paging station. The Station Four has two convenient electronically balanced microphone inputs, a 3-pin XLR low-Z mic input and a 5-pin XLR auxiliary low-Z mic input.

- Four-zone preset
- 5-pin auxiliary low-Z mic input
- Electronically balanced inputs

- Mic level control +25dBu full scale
- Electronically balanced output
- 3-pin XLR low-Z mic input
- Powered by 24 VDC from command center
- Robust RS-485 communication
- Simple, one-wire interconnect using RJ-45 standard connectors and CAT 5 cable
- Desktop model
- No local power required



PageMatrix™ Station Ten

The PageMatrix™ Station Ten™ provides 99 zone combination presets, programmable via the PageMatrix Command Center. The Station Ten has two convenient, electronically balanced microphone inputs, a 3-pin XLR low-Z mic input and a 5-pin XLR auxiliary low-Z mic input.

- Desktop paging unit
- 5-pin XLR auxiliary low-Z mic input
- Electronically balanced inputs
- Mic level control +25dBu full scale

- Electronically balanced output
- 3-pin XLR low-Z mic input
- No local power required
- Powered by 24 VDC from command center
- Robust RS-485 communication
- Simple, one-wire interconnect using RJ-45 standard connectors and CAT 5 cable
- The PageMatrix system is not compatible with ControlMatrix products.
- 99 zone presets, programmable via PageMatrix command center
- 20 X 2 LCD backlit

Features and specifications subject to change without notice.





PAGEMATRIX™ STATION 4-W

Features

- Four zone presets
- 5-pin XLR low-Z mic input
Electronically balanced
- Mic level control +25 dBu full scale
- Electronically balanced output

Applications

- Transportation Centers
- Convention Centers
- Theme Parks
- Industrial Plants
- Medical Centers
- High Rise Facilities
- Research Facilities
- Hotels and Resorts
- Casinos

Operation

- ▲ LED color indicates status of each of the four zone presets.
 - ▲ Green indicates the zone is available and not in use by another station.
 - ▲ Red indicates the zone is in use.
- ▲ When the microphone “Talk” button is pressed, the selected zone preset LED turns orange to confirm that it is active. Other stations connected to the system will indicate RED to confirm that this particular zone is in use.
- ▲ Press any zone preset button to select. The LED will blink, confirming the selection.
- ▲ At power-up, the unit defaults to zone one, and after one minute of inactivity reverts back to zone one.
- ▲ Hand-held 5-pin mic input is activated by pressing the “talk” button.
- ▲ Zone presets can be labeled in the appropriate white boxes.
- ▲ If all LEDs flash red at power-up, this is an indication that the station has not been programmed.
- ▲ If all LEDs flash green at power-up, this is an indication that the station has been programmed.

Specifications

Maximum Input Level:

-22 dBu

Maximum Output Level:

+25 dBu

Input Impedance:

2.2K Ohms

Output Impedance:

200 Ohms

Frequency Response:

20 Hz to 20 kHz (+0, -2 dB)

Phantom Power:

+48V DC

Signal-to-Noise Ratio:

Greater than 88 dB

Power Requirements:

48mA at +24V DC

Total Harmonic Distortion:

Less than 0.01% at 1 kHz

Dimensions:

4.5" H x 8.2" W x 1" D

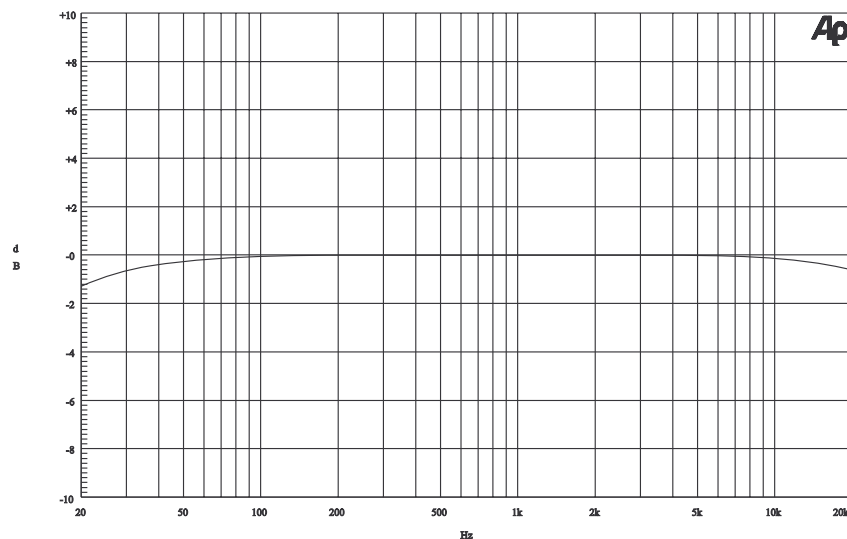
11.43cm x 20.82cm x 2.54cm

Architectural and Engineering Specifications

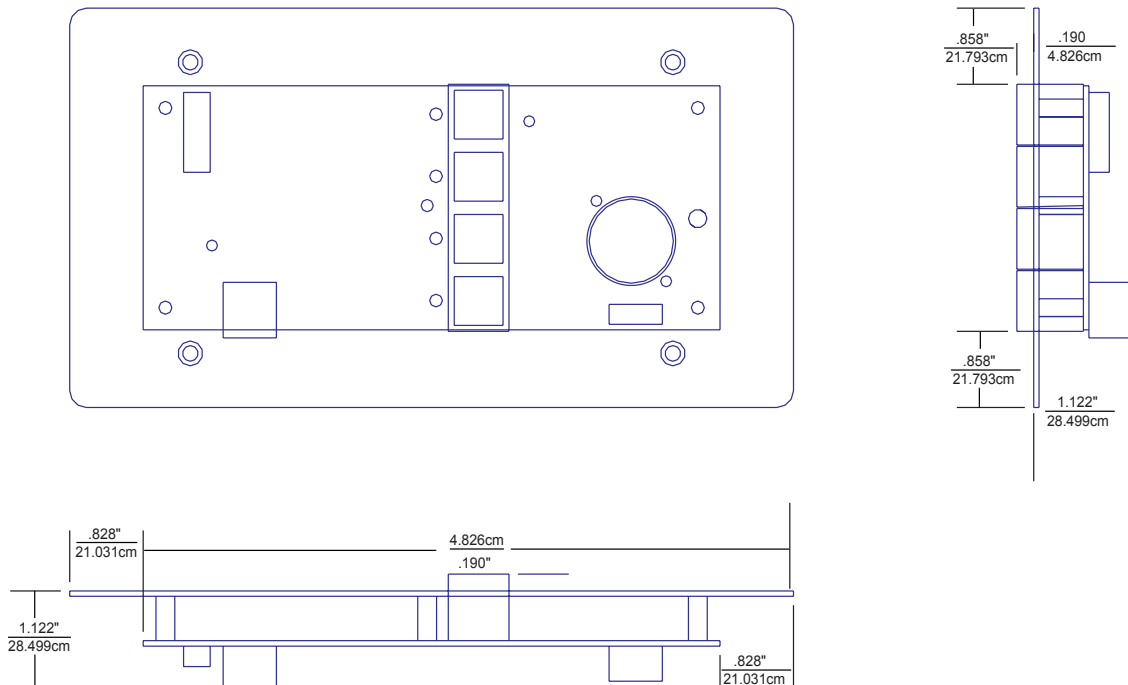
The Station Four-W shall have four momentary non-programmable buttons. Programming for these buttons shall occur at the PageMatrix Controller and in the MediaMatrix pasha.ini file and view file.

The buttons shall light up when pressed, or have a multi function LED beside them indicating "Ready" status. An indicator shall also be present, indicating a "Zone Busy" status. The multi function LED can also serve as the "Busy" indicator. The unit shall have a 5-pin XLR connector on the front panel for a keyed microphone, three pins for audio, and two pins for the keyed mic closure. The closure of the "keyed mic" shall be integral to the final paging function and shall also act as a release for the current zone requested. The unit shall have a microphone pre-amplifier and supply +48V phantom power to the mic. The unit shall communicate to the PageMatrix Controller via CATEGORY 5 cable that carries DC power, line level audio, and the RS-485 serial data.

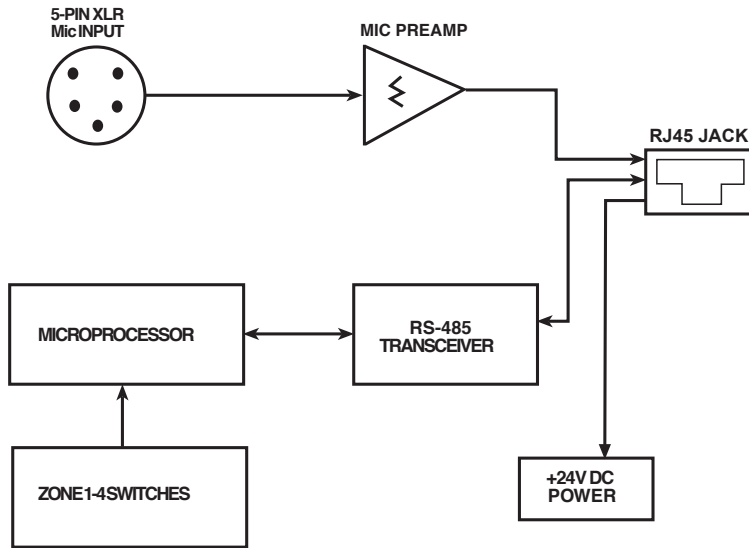
Frequency Response



Mechanical Diagram



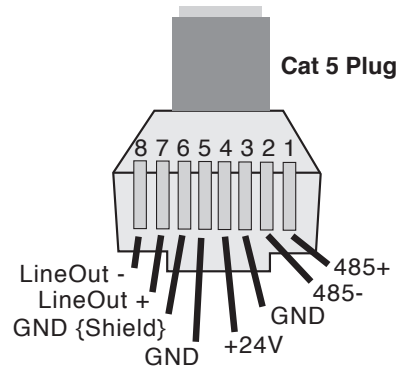
PAGEMATRIX™ STATION 4-W BLOCK DIAGRAM



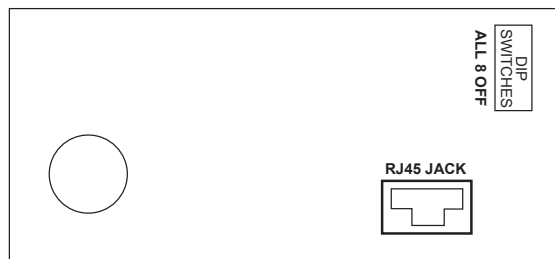
Wiring Diagrams

5-Pin Plug to Mic	
5-Pin Connector	Mic
1	Audio Shield
2	Audio +
3	Audio -
4	Mic Switch
5	GND

8 Position DIP Switch
 Reference number: SW 200
 Positions: **All 8 OFF**



Back View of PCB



S P E C I F I C A T I O N S



PAGEMATRIX™ STATION FOUR BUTTON

Features

- Four Zone preset
- 3-pin XLR low-Z mic input
- 5-pin XLR Aux Mic input
- Electronically balanced
- Mic level control +25 dBu full scale
- Electronically balanced output

Applications

- Transportation Centers
- Convention Centers
- Theme Parks
- Industrial Plants
- Medical Centers
- High Rise Facilities
- Research Facilities
- Hotels and Resorts
- Casinos

Operation

- ▲ LED color indicates status of each of the four zone presets.
 - ▲ Green indicates the zone is available.
 - ▲ Red indicates the zone is in use.

- ▲ When the microphone “Push to Talk” button is pressed, the selected zone preset LED turns orange to confirm that it is active. Other stations connected to the system will indicate RED to confirm that the zone preset is in use.
- ▲ Press any zone preset button to select. The LED will blink, confirming the selection.
- ▲ At power-up, the unit defaults to zone one, and after one minute of inactivity reverts back to zone one.
- ▲ Hand-held 5-pin mic input is activated by pressing the “talk” button.
- ▲ Zone presets can be labeled in the appropriate white boxes.
- ▲ If all LEDs flash red at power-up, this is an indication that the station has not been programmed.
- ▲ If all LEDs flash green at power-up, this is an indication that the station has been programmed.
- ▲ The Aux mic input (rear panel) is always routed to zone preset one.

Specifications

Maximum Input Level:
-22 dBu

Maximum Output Level:
+25 dBu

Input Impedance:
2.2K Ohms

Output Impedance:
200 Ohms

Frequency Response:
20 Hz to 20 kHz (+0, -2 dB)

Phantom Power:
+48V DC

Signal-to-Noise Ratio:
Greater than 85 dB

Power Requirements:
55mA at +24V DC

Total Harmonic Distortion:
Less than 0.01% at 1 kHz

Dimensions:
4" H x 5.2" W x 7.1" D
10.16cm x 13.21cm x 18.03cm

Architectural and Engineering Specifications

The Station Four shall have four momentary non-programmable buttons.

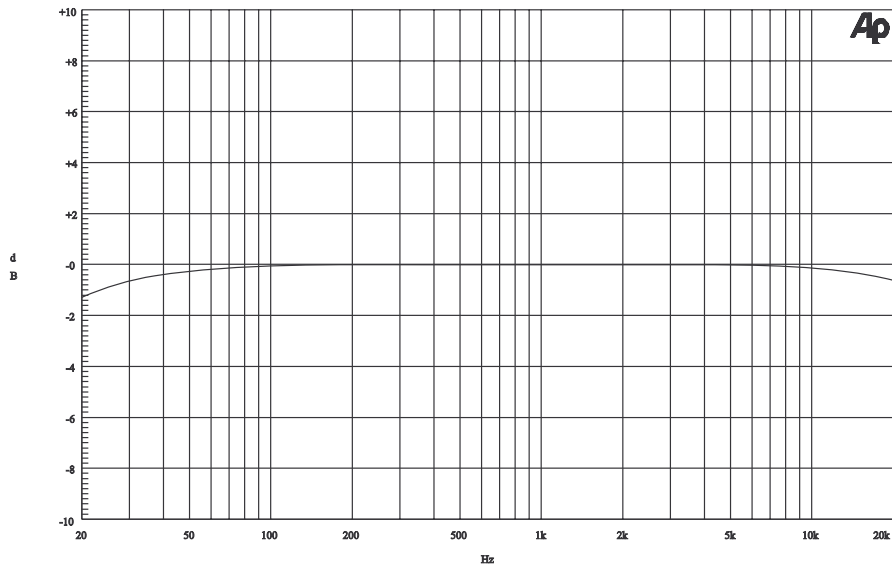
Programming for these buttons shall occur at the PageMatrix Controller and in the MediaMatrix pasha.ini file and view file.

The buttons shall light up when pressed, or have a multi function LED beside them

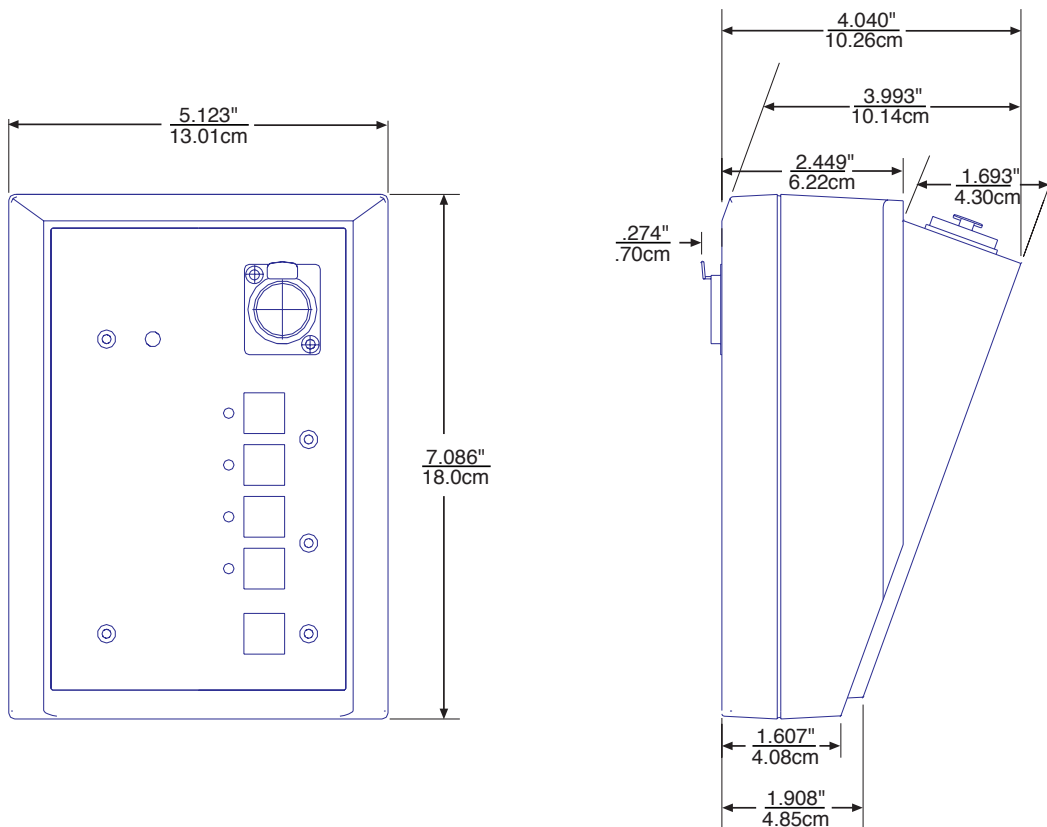
indicating "Ready" status. An indicator shall also be present, indicating a "Zone Busy" status. The multi function LED can also serve as the "Busy" indicator. The unit shall have a 3-pin XLR connector on the front panel for audio. The unit shall have a 5-pin XLR connector on the back panel for a keyed microphone, three pins for audio, and two pins for the "keyed mic" closure. The closure of the "keyed mic"

shall be integral to the final paging function and shall also act as a release for the current zone requested. The unit shall have a microphone preamplifier and supply +48V phantom power to the mic. The unit shall communicate to the PageMatrix Controller via RJ45 style connector. The communications cable CATEGORY 5 carries DC power, line level audio, and the RS485 serial data.

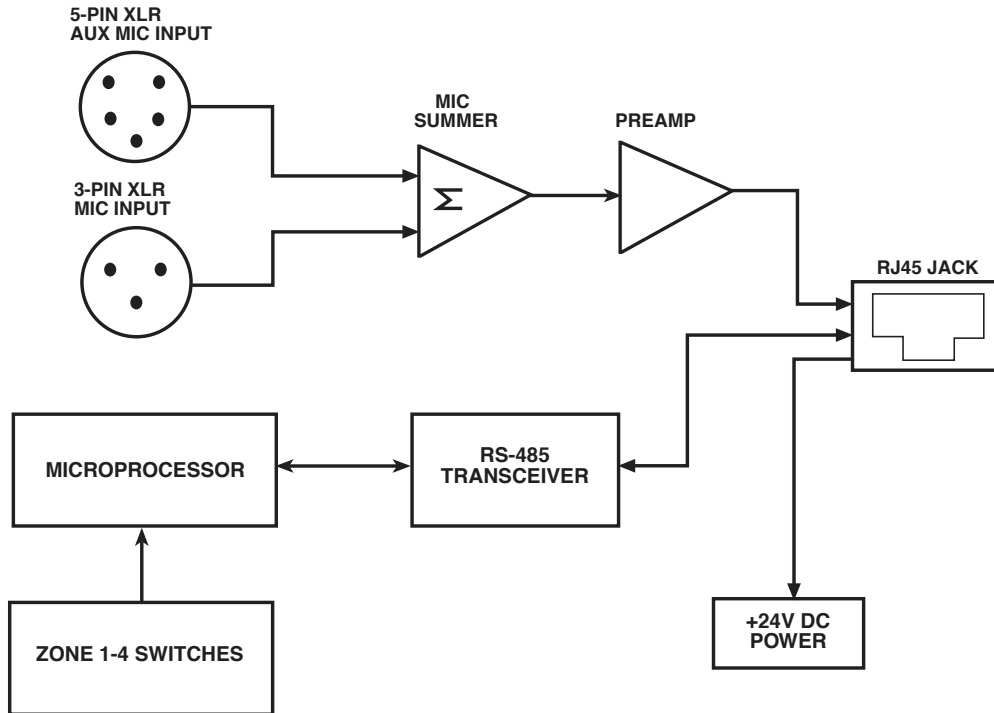
Frequency Response



Mechanical Diagram

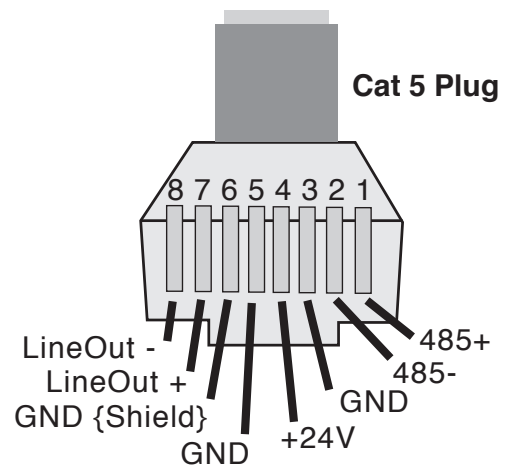


PAGEMATRIX™ STATION FOUR BLOCK DIAGRAM



Wiring Diagrams

5-Pin Plug to Mic	
5-Pin Connector	Mic
1	Audio Shield
2	Audio +
3	Audio -
4	Mic Switch
5	GND



S P E C I F I C A T I O N S



PAGEMATRIX™ STATION TEN

Features

- 99 zone presets
- 3-pin XLR low-Z mic input
- 5-pin XLR Aux mic input
- Electronically balanced
- Mic level control +25 dBu full scale
- Electronically balanced output
- 20 x 2 LCD

Applications

- Transportation Centers
- Convention Centers
- Theme Parks
- Industrial Plants
- Medical Centers
- High Rise Facilities
- Research Facilities
- Hotels and Resorts
- Casinos

Operation

- ▲ LED indicates status of each of the ten Zone presets.
 - ▲ Green indicates the zone is available and not in use by another station.
 - ▲ Red indicates the zone is in use.
- ▲ When the “Push to Talk” button is pressed, the selected zone preset LED turns orange to confirm that it is active. Other stations connected to the system will indicate RED to confirm that the zone present is in use.
- ▲ Press any zone preset button to select. The LED will blink, confirming the selection.
- ▲ At power-up, the unit defaults to zone one.
- ▲ Aux Mic input (5-pin) on the back panel is programmed for zone preset one.
- ▲ For direct zone preset access, the keypad can be used. Simply enter a one or two digit number, then press # to select.
- ▲ The selected zone name (user nameable up to 16 characters within the PageMatrix software) will be displayed on the 20 x 2 screen in addition to status (available/busy).
- ▲ Zone presets can be labeled in the appropriate white boxes.
- ▲ If all LEDs flash red at power-up, this is an indication that the station has not been programmed.
- ▲ If all LEDs flash green at power-up, this is an indication that the station has been programmed.
- ▲ At power-up, the unit defaults to zone one, and after one minute of inactivity reverts back to zone one.

Specifications

Maximum Input Level:

-22 dBu

Maximum Output Level:

+25 dBu

Input Impedance:

2.2K Ohms

Output Impedance:

200 Ohms

Frequency Response:

20 Hz to 20 kHz (+0, -2 dB)

Phantom Power:

+48V DC

Signal-to-Noise Ratio:

Greater than 84 dB

Power Requirements:

92mA at +24V DC

Total Harmonic Distortion:

Less than 0.01% at 1 kHz

Dimensions:

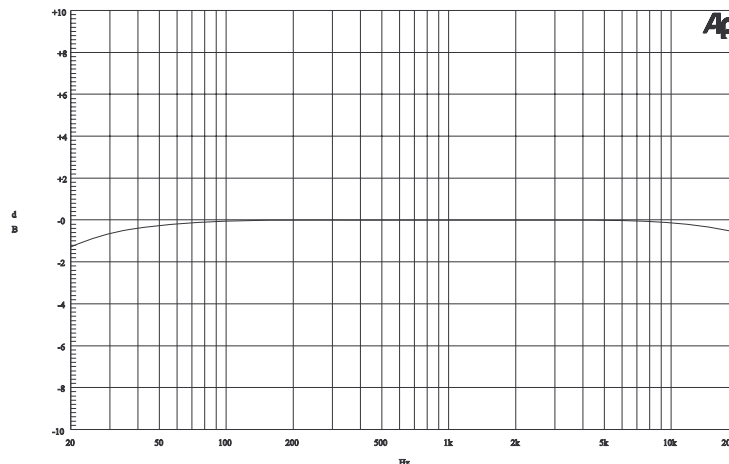
4" H x 10.4" W x 7.1" D
10.16cm x 26.42cm x 18.03cm

Architectural and Engineering Specifications

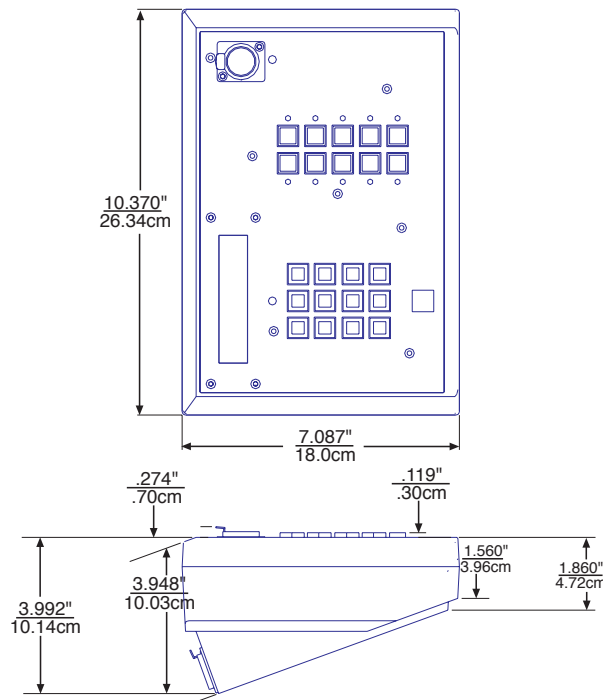
The Station Ten shall have ten momentary non-programmable buttons. Programming for these buttons shall occur at the PageMatrix Controller and in the MediaMatrix pasha.ini file and view file. The buttons shall light up when pressed, or have a multi function LED beside them indicating "Ready" status. An indicator shall also be present, indicating a "Zone Busy" status. The multi function LED can also serve as the "Busy" indicator. The unit shall have a "Telephone Type" keypad, programmed for zone information entry. The "*" key shall represent an "Edit" function, and the "#" key shall represent an "Enter" function. This keypad shall act as a direct zone entry mechanism by "keying" in the zone number, then pressing enter to activate the zone. The LCD panel shall display "Status" information of the Paging System and the Paging Unit. The unit shall have a 3-pin XLR connector on the front panel for audio. The unit shall have a 5-pin XLR connector on the back panel for a keyed microphone, three pins for audio, and two pins for the "keyed mic" closure. The closure of the "keyed mic" shall be integral to the final paging function and shall also act as a release for the current zone requested. The unit shall have a microphone preamplifier and supply +48V phantom power to the mic. The unit shall communicate to the PageMatrix Controller via RJ45 style connector. The communications cable (CATEGORY 5) carries DC power, line level audio, and the RS485 serial data.

function, and the "#" key shall represent an "Enter" function. This keypad shall act as a direct zone entry mechanism by "keying" in the zone number, then pressing enter to activate the zone. The LCD panel shall display "Status" information of the Paging System and the Paging Unit. The unit shall have a 3-pin XLR connector on the front panel for audio. The unit shall have a 5-pin XLR connector on the back panel for a keyed microphone, three pins for audio, and two pins for the "keyed mic" closure. The closure of the "keyed mic" shall be integral to the final paging function and shall also act as a release for the current zone requested. The unit shall have a microphone preamplifier and supply +48V phantom power to the mic. The unit shall communicate to the PageMatrix Controller via RJ45 style connector. The communications cable (CATEGORY 5) carries DC power, line level audio, and the RS485 serial data.

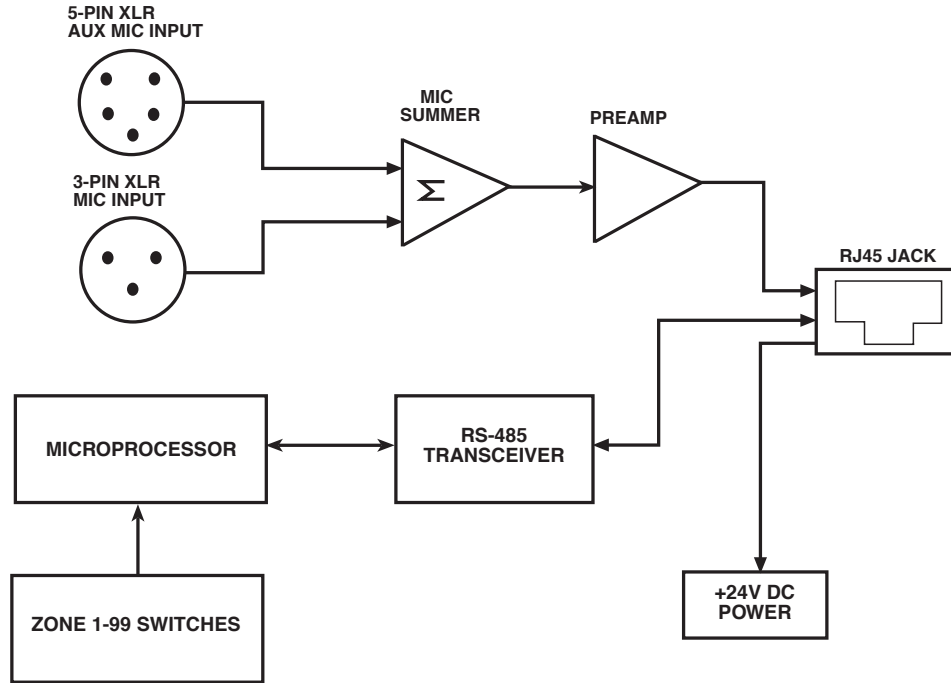
Frequency Response



Mechanical Diagram



PAGEMATRIX™ STATION TEN BLOCK DIAGRAM



Wiring Diagram

5-Pin Aux Mic	
5-Pin Connector	Mic
1	Audio Shield
2	Audio +
3	Audio -
4	Mic Switch
5	GND

