

## VRX70-18G

### 4K HDBaseT™ Receiver

The VRX70-18G HDMI 2.0 4K60Hz 4:4:4 (18Gbps) HDCP2.2 HDBaseT™ Receiver pairs perfectly with the VX44-18G-Kit\* and the VX88-18G and offers market-leading features and outstanding value, including Color Space Conversion (CSC) technology. The product extends HDMI, Bi-directional IR, and is powered by the matrix up to lengths of 70m (4K 40m).

Included in the box:

1 x VRX70-18G

1 x Mounting Kit

\* The VX44-18G-Kit comes with 4 x VRX70-18G

## Key Features

- Advanced HDBaseT™ technology enables distribution of video and audio over a single CAT cable
- Advanced color Space Conversion (CSC) supports HDMI 2.0 18Gbps specification including HDR
- Supports all industry standard video resolutions including VGA-WUXGA and 480i-4K and all known HDMI audio formats including Dolby TrueHD®, Dolby Atmos®, Dolby Digital Plus® and DTS-HD Master Audio® transmission
- HDMI re-clocking to help solve HDMI HDCP, compatibility and handshaking issues
- IR pass-through to compatible HDBaseT™ devices
- Supports bi-directional PoC (Power over Cable) from VX88-18G
- HDCP 2.2 support

## Compatible Products



**VX44-18G**  
4 x 4 4K HDBaseT™ Matrix Switcher



**VX88-18G**  
8 x 8 4K HDBaseT™ Matrix Switcher

## Specifications

Video Input Connectors.....	1 x HDBaseT™ RJ45 Connector
Video Output Connectors.....	1 x HDMI Type A, 19-pin, female
Audio Input Connectors.....	1 x Toslink (S/PDIF)
Audio Output Connectors.....	1 x Toslink (S/PDIF), 1 x 3.5mm L/R Analog Audio
HDBaseT™ Transmission Distance.....	1080p@50/60Hz ≤ 131ft (70m) 3840 x 2160 @50/60Hz 4:4:4 ≤ 229ft (40m)
Max. Bandwidth.....	18Gbps
RS-232 serial port.....	1 x 3-Pin Phoenix Connector
IR Input ports.....	1 x 3.5mm Stereo Jack
IR Output ports.....	1 x 3.5mm Mono Jack
Mounting Kit.....	Included
Dimensions (W x D x H).....	5.5" x 3.3" x .7" (140mm x 84mm x 18mm)
Dimensions (W x D x H).....	5.5" x 3.5" x .7" (140mm x 88mm x 18mm) (including connectors)
Shipping Weight.....	1.3lbs. (0.6kg)
Operating Temperature.....	32°F to 104°F (-5°C to +55°C)
Storage Temperature.....	-4°F to 140°F (-25°C to +70°C)
Power Supply.....	1x 12V/1A DC, Screw Connector
Warranty.....	Three Years (Parts & Labor)

All features and specifications subject to change without notice

## State-of-the-Art HDBaseT Technology

**HDBaseT™**  
No bottleneck with the latest HDBaseT™ 18Gbps standard that provides the highest possible bandwidth that currently exists.

**4K UHD**  
Enjoy stunning picture quality with 4K UHD resolution.

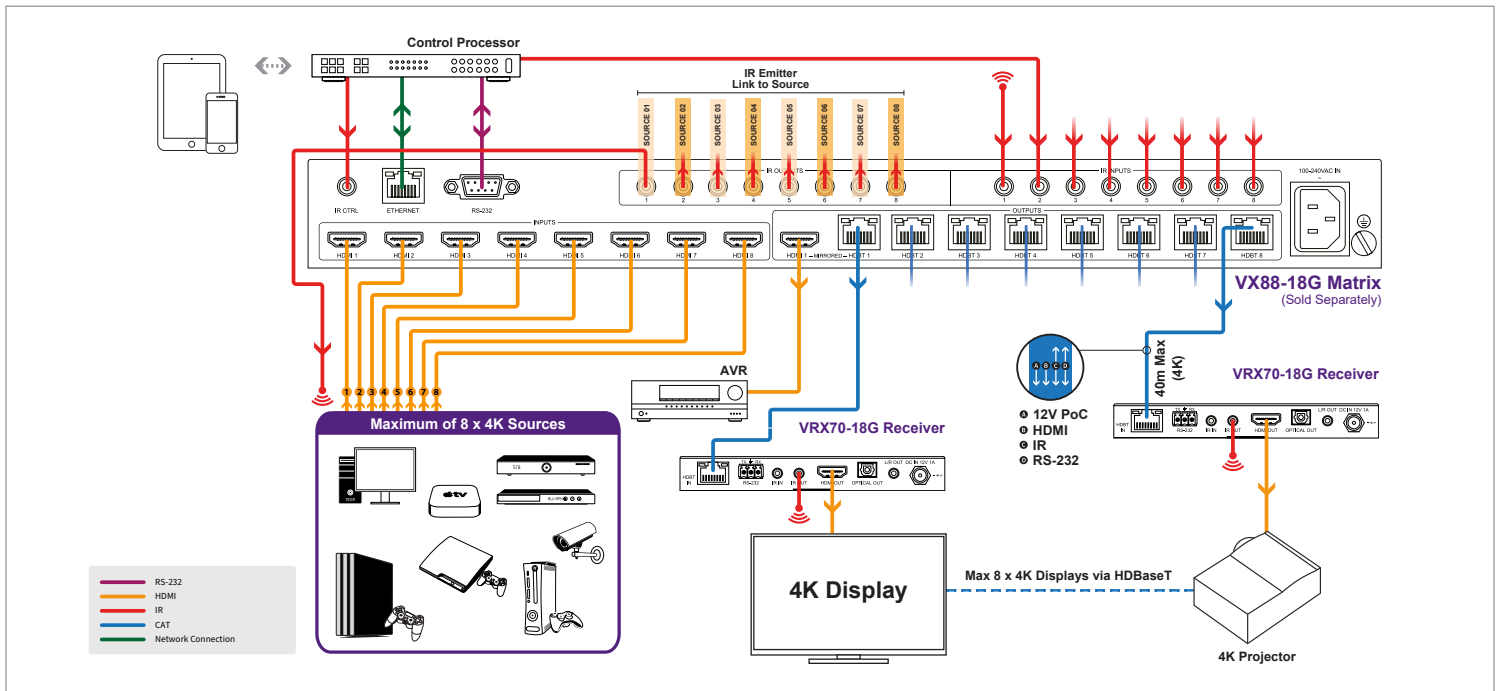
**2160p 60Hz 4:4:4**  
Eliminate blurred fast motions in action movies. 4K resolution paired with 60Hz refresh rate provides a crystal clear and crisp picture quality.

**Long Distance**  
Go beyond the distance limitations of HDMI cables. Video can be transmitted over a Cat cable up to 229ft/70m.

**HDCP 2.2**  
Be fully compliant with the latest copy protection algorithms to avoid black screens when connecting an HDMI source

**PoH**  
Power over HDBaseT™  
Get rid of extra power supplies for HDBaseT™ receivers. Remote devices can be powered over the HDBaseT cable.

## Example Schematic



**Remote Technologies Incorporated**  
5775 12th Avenue East, Suite 180, Shakopee, MN 55379  
PH: (952) 253-3100 • Website: www.rticorp.com

**RTI**  
It's Under Control®