

## VX88-18G

### 8 x 8 4K HDBaseT™ Matrix Switcher

The 8x8 HDBaseT™ Matrix combines exceptional performance with outstanding value for custom integrators world-wide. The VX88-18G is a HDMI 2.0 4K 60Hz 4:4:4 HDCP 2.2 matrix using Color Space Conversion (CSC) technology to deliver HDMI, Bi-directional IR and PoC up to lengths of 70m over a single CAT cable. The Matrix delivers advanced features including simultaneous HDBaseT™/HDMI on output 1, video down-conversion on HDBaseT™ outputs and a web browser interface module for simple configuration of the Matrix.

Included in the box:

- 1 x VX88-18G
- 1 x Rack Mounting Kit
- 1 x Remote Control
- 8 x IR Emitters
- 9 x IR Receivers
- 1 x RS-232 Control Cable
- 1 x IR Control Cable - 3.5mm-3.5mm Cable
- 1 x Power Cable

## Key Features

- Advanced HDBaseT™ technology enables distribution of video and audio over a single CAT cable
- Advanced color Space Conversion (CSC) supports HDMI 2.0 18Gbps specification including HDR
- The eight (8) HDMI inputs can be independantly routed to eight (8) HDBaseT™ outputs with output 1 featuring simultaneous HDMI and HDBaseT™ output
- Video down-conversion on HDBaseT™ outputs allows a display only capable of supporting lower video resolutions (4K 60Hz 4:2:0 or 1080p) to receive 4K 60Hz 4:4:4 video content while still showing maximum original 4K UHD resolution on remaining video outputs
- Supports 4K 60Hz 4:4:4 UHD video up to 131ft (40m) and 1080p video up to 131ft (70m)
- Supports all industry standard video resolutions including VGA-WUXGA and 480i-4K and all known HDMI audio formats including Dolby TrueHD®, Dolby Atmos®, Dolby Digital Plus® and DTS-HD Master Audio® transmission
- Control via front panel , IR, RS-232 and TCP/IP
- Supports PoC (Power over Cable) to power compatible HDBaseT™ receivers
- Advanced EDID management and HDCP 2.2 compliant



### Accessories (sold separately)



## Specifications

Video Input Connectors.....	8 x HDMI Type A, 19-pin, female
Video Output Connectors.....	1 x HDMI Type A, 19-pin, female
.....	8 x HDBaseT™ RJ45 connector
HDBaseT™ Transmission Distance.....	1080p @50/60Hz ≤ 229ft (70m)
.....	3840 x 2160 @50/60Hz 4:4:4 ≤ 131ft (40m)
Max. Bandwidth.....	18Gbps
RS-232 serial port.....	1 x 3-Pin Phoenix Connector
TCP/IP Control.....	1 x RJ45, female
IR Input ports.....	9 x 3.5mm Stereo Jack
IR Output ports.....	8 x 3.5mm Mono Jack
Rack-Mountable.....	1 U rack height, Rack Ears included
Dimensions (W x D x H).....	17.2" x 15.1" x 2.1" (437mm x 384mm x 53mm)
Dimensions (W x D x H).....	17.2" x 14.8" x 1.7" (437mm x 377mm x 44mm)
(without feet)	
Shipping Weight.....	11lbs. (5.0kg)
Operating Temperature.....	32°F to 104°F (-5°C to +55°C)
Storage Temperature.....	-4°F to 140°F (-25°C to +70°C)
Power Supply.....	115VAC or 240VAC
Warranty.....	Three Years (Parts & Labor)

All features and specifications subject to change without notice

## State-of-the-Art HDBaseT Technology

**HDBaseT™**  
No bottleneck with the latest HDBaseT™ 18Gbps standard that provides the highest possible bandwidth that currently exists.

**4K UHD**  
Enjoy stunning picture quality with 4K UHD resolution.

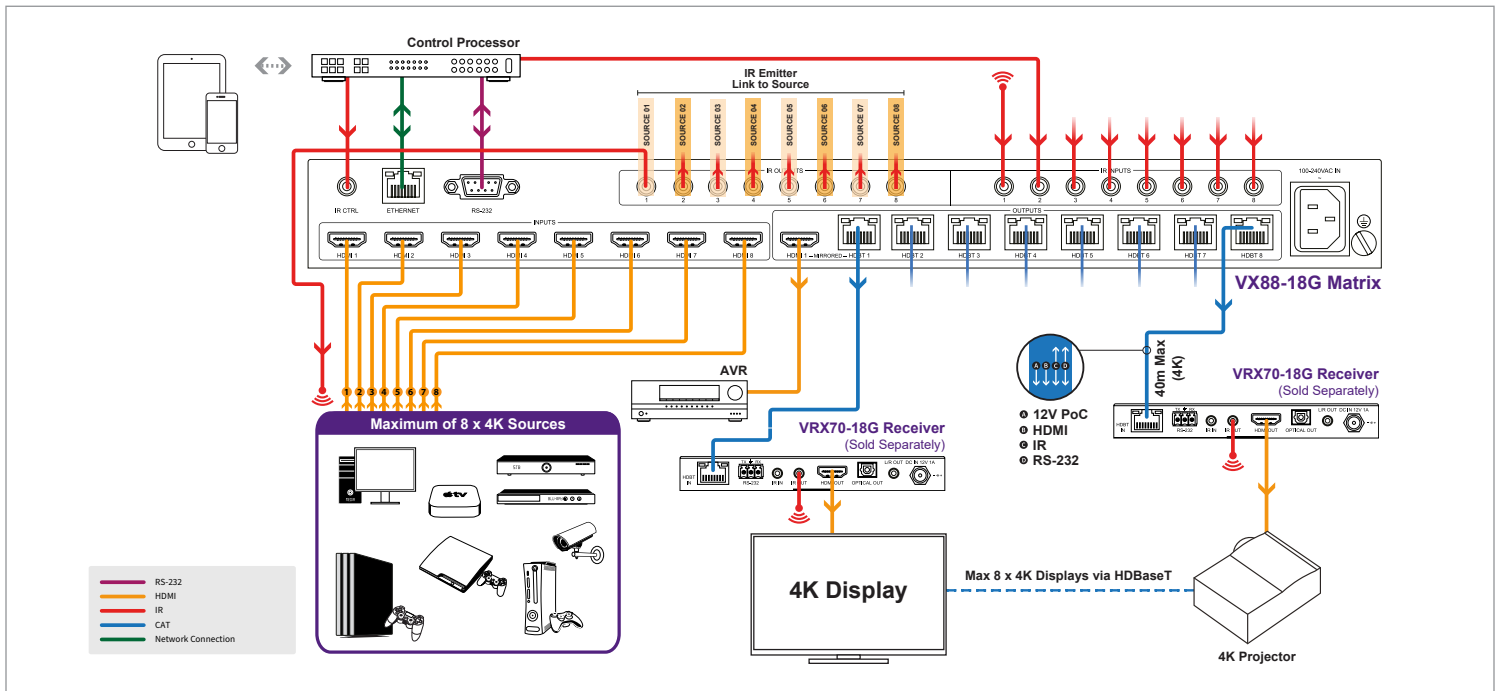
**2160p  
60Hz 4:4:4**  
Eliminate blurred fast motions in action movies. 4K resolution paired with 60Hz refresh rate provides a crystal clear and crisp picture quality.

**229ft  
70m**  
**Long Distance**  
Go beyond the distance limitations of HDMI cables. Video can be transmitted over a Cat cable up to 229ft/70m.

**HDCP 2.2**  
Be fully compliant with the latest copy protection algorithms to avoid black screens when connecting an HDMI source

**PoH**  
**Power over HDBaseT™**  
Get rid of extra power supplies for HDBaseT™ receivers. Remote devices can be powered over the HDBaseT cable.

## Example Schematic



**Remote Technologies Incorporated**  
5775 12th Avenue East, Suite 180, Shakopee, MN 55379  
PH: (952) 253-3100 • Website: www.rticorp.com

**RTI**  
It's Under Control®