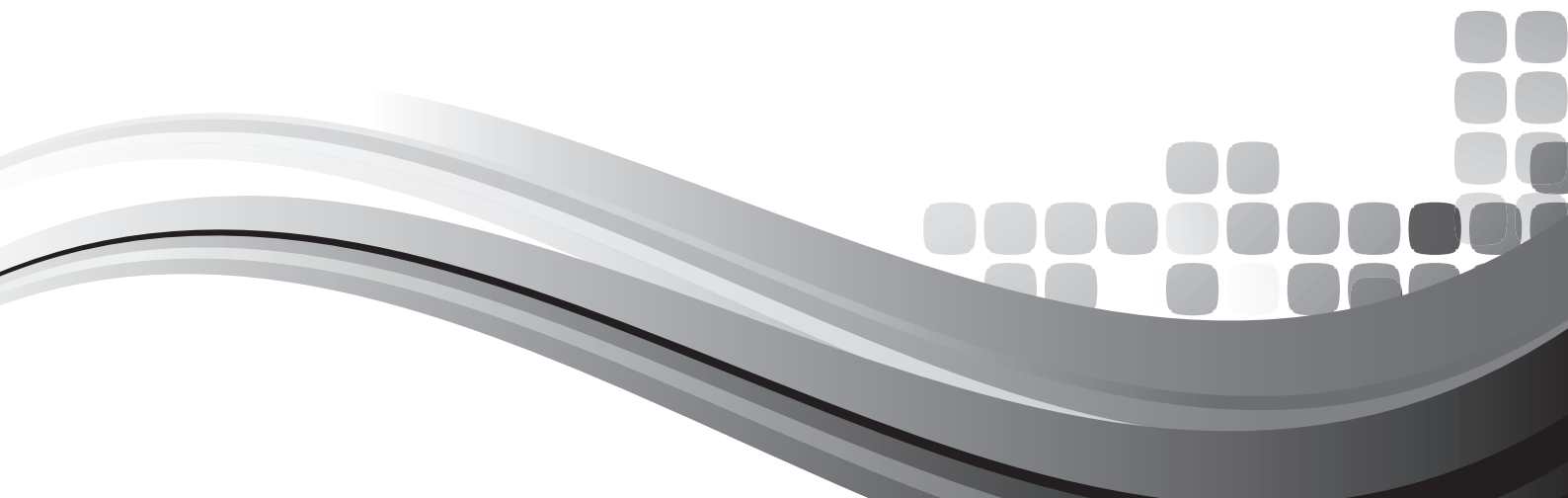




INSTALLATION AND OPERATION MANUAL

INTEGRATOR RACKS



IMPORTANT SAFETY INFORMATION

1. Read these instructions.
2. Keep these instructions.
3. Heed all warnings.
4. Follow all instructions.
5. Do not use this apparatus near water.
6. Clean only with dry cloth.
7. Do not block any ventilation openings. Install in accordance with the manufacturer's instructions.
8. Do not install near any heat sources such as radiators, heat registers, stoves, or other apparatus (including amplifiers) that produce heat.
9. Do not defeat the safety purpose of the polarized or grounding-type plug. A polarized plug has two blades with one wider than the other. A grounding type plug has two blades and a third grounding prong. The wide blade or the third prong are provided for your safety. If the provided plug does not fit into your outlet, consult an electrician for replacement of the obsolete outlet.
10. Protect the power cord from being walked on or pinched particularly at plugs, convenience receptacles, and the point where they exit from the apparatus.
11. Only use attachments/accessories specified by the manufacturer.
12. Use only with the cart, stand, tripod, bracket, or table specified by the manufacturer, or sold with the apparatus. When a cart is used, use caution when moving the cart/apparatus combination to avoid injury from tip-over.
13. Unplug this apparatus during lightning storms or when unused for long periods of time.
14. Refer all servicing to qualified service personnel. Servicing is required when the apparatus has been damaged in any way, such as power-supply cord or plug is damaged, liquid has been spilled or objects have fallen into the apparatus, the apparatus has been exposed to rain or moisture, does not operate normally, or has been dropped.
15. This appliance shall not be exposed to dripping or splashing water and that no object filled with liquid such as vases shall be placed on the apparatus.
16. Plug this apparatus to the proper wall outlet and make the plug to be disconnected readily operable.
17. Mains plug is used as disconnected device and it should remain readily operable during intended use. In order to disconnect the apparatus from the mains completely, the mains plug should be disconnected from the mains socket outlet completely.
18. **WARNING:** To reduce the risk of fire or electric shock, do not expose this apparatus to rain or moisture.
19. An appliance with a protective earth terminal should be connected to a mains outlet with a protective earth connection.
20. The apparatus should be disconnected from the mains completely before speaker wiring. The speaker output should be proper protected from direct contact and pay attention to speaker connections, terminals and speaker wiring during normal operation.



PRÉCAUTIONS DURANT UTILISATION

1. LISEZ ces instructions.
2. Tenez ces instructions.
3. Notez tous les avertissements.
4. Suivez toutes les avertissements.
5. N'utilisez pas ce produit près de l'eau (la piscine, la plage, le lac, etc.).
6. Nettoyez seulement avec une étoffe sèche.
7. Ne bloquez aucuns trous de ventilation. Installez en accord avec les instructions du fabricant.
8. N'installez près aucunes sources de chaleur comme radiateurs, registres de chaleur, fours ou les autres équipements (y compris amplificateurs) qui produisent la chaleur.
9. Ne défaites pas le but de sécurité de la fiche polarisée ou base-type. Une fiche polarisée a deux tranchants avec un plus large que l'autre. Une fiche de base type a deux tranchants et une troisième pointe de base, le tranchant large ou la troisième pointe est fourni pour votre sécurité. Si la fiche donnée ne conforme pas votre prise de contact, consultez un électricien pour remplacement de la prise de contact obsolète.
10. Protégez le cordon de secteur contre être marchée dessus ou pincez en particulier aux fiches, aux douilles de convenance, et au point où ils sortent de l'appareil.
11. Seulement utilisez attachements/accessoires spécifiés par le fabricant.
12. Utilisez seulement avec un chariot, un stand, un trépied, un support ou une table indiquée par le fabricant, ou vendue avec l'appareil. Quand un chariot est utilisé, faites attention en déplaçant la combinaison d'appareil/chariot pour éviter de se déséquilibrer.
13. Arrachez la fiche du dispositif durant éclair et orage ou quand pas utilisé pour longues périodes de temps.
14. Réferez au personnel qualifié de service pour toutes réparations. La réparation est donnée quand le système a été endommagé à n'importe façon, par exemple un fil ou une fiche endommagé(e) de la source d'alimentation. Avoir été exposé à pluie ou humidité, n'opère pas normalement, ou avoir été tombé.
15. L'appareil ne doit pas être exposé aux écoulements ou aux éclaboussures et aucun objet ne contenant de liquide, tel qu'un vase, ne doit être placé sur l'objet.
16. Branchez l'appareil à une source appropriée et faire que la prise à débrancher soit facilement accessible.
17. La prise du secteur ne doit pas être obstruée ou doit être facilement accessible pendant son utilisation. Pour être complètement déconnecté de l'alimentation d'entrée, la prise doit être débranchée du secteur.
18. **AVERTISSEMENT:** Pour éviter le risque d'incendie ou de chocs électriques, ne pas exposer cet appareil à la pluie ou à l'humidité.
19. Un appareil avec la borne de terre de protection doit être connecté au secteur avec la connexion de terre de protection.
20. Assurez-vous que l'appareil est hors tension avant de connecter les hauts parleurs. Vérifiez que la sortie des enceintes soit protégées contre un contact physique. Respecter les polarités des terminaux ainsi que le câblage des enceintes pendant le fonctionnement afin d'assurer une utilisation sécurisée.



INTEGRATOR RACKS

The Australian Monitor Integrator range of equipment racks are a sturdy and professional rack mounting solution.

Available in wall mount versions of 6 and 12 rack unit heights and with three floor mount variants in 18, 32 and 45 rack units, the Integrator range of racks give the AV contractor the features they require in a reliable cost effective racking solution.

INTRODUCTION	3
UNPACKING	4
PREPARING THE TOP PIECE	5
PREPARING THE BOTTOM PIECE	6
PREPARING THE DOOR/LOCKS	7
PREPARING THE SIDE PANEL	8
MAKING THE FRAME	9
MOUNTING THE DOORS	10
SPECIFICATIONS	11

Revision 1.0 November 2011

WARNING!

TO PREVENT FIRE OR SHOCK HAZARD, DO NOT USE THE PLUG WITH AN EXTENSION CORD, RECEPTACLE OR OTHER OUTLET UNLESS THE BLADES CAN BE FULLY INSERTED TO PREVENT BLADE EXPOSURE.

TO REDUCE THE RISK OF FIRE OR ELECTRIC SHOCK, DO NOT EXPOSE THIS APPLIANCE TO RAIN OR MOISTURE.

TO PREVENT ELECTRICAL SHOCK, MATCH WIDE BLADE PLUG TO WIDE SLOT, FULLY INSERT.



The lightning flash with arrowhead symbol, within an equilateral triangle, is intended to alert the user to the presence of uninsulated "dangerous voltage" within the product's enclosure that may be of sufficient magnitude to constitute a risk of electric shock to persons.

CAUTION

**RISK OF ELECTRIC SHOCK
DO NOT OPEN**

WARNING: TO REDUCE THE RISK OF ELECTRIC SHOCK, DO NOT REMOVE COVER (OR BACK). NO USER SERVICEABLE PARTS INSIDE. REFER SERVICING TO QUALIFIED SERVICE PERSONNEL.



The exclamation point within an equilateral triangle is intended to alert the user to the presence of important operating and maintenance (servicing) instructions in the literature accompanying the appliance.

Rating plate and caution marking are marked on the back enclosure of the apparatus



UNPACKING

1 Unpacking the Boxes

The rack will be packed into three separate boxes. The boxes contain the following:

Top and Bottom Piece and Accessories

Front Door and Side Panel

Rear Door and Side Panel

Please ensure that all three boxes have turned up with your delivery, if a box is missing please contact your local distributor.

Included in the accessories pack is the following:

4 x Castor wheels

4 x Rack stand offs

2 x Side panel lock and key sets

2 x front/rear door lock and key sets

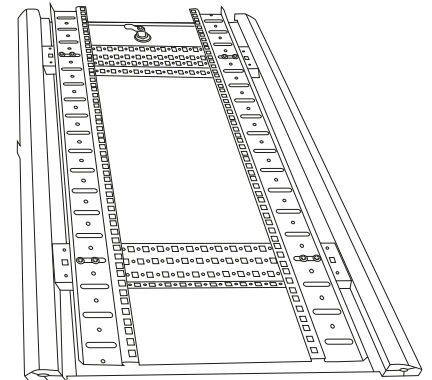
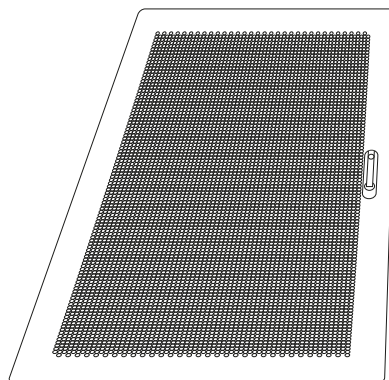
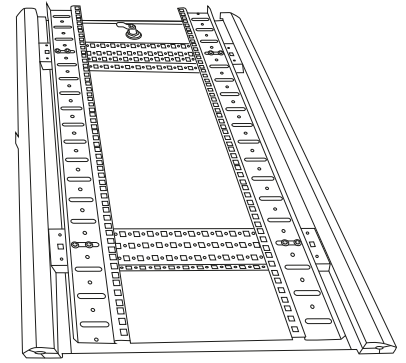
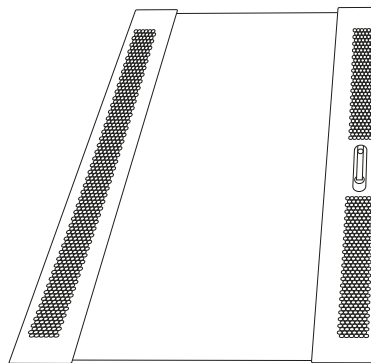
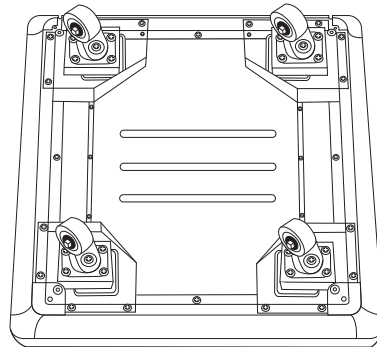
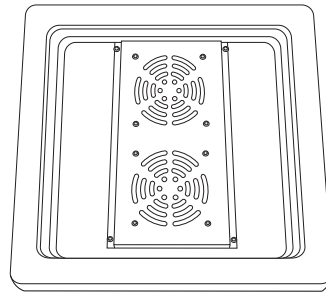
16 x M6x10 self tapping screws for mounting wheels

4 x M5x10 screws for mounting top lock catches

4 x M4x8 screws for mounting side lock catches

2 x studs for mount front/rear door

NOTE: When assembling the rack it is essential that an electric power drill is used.

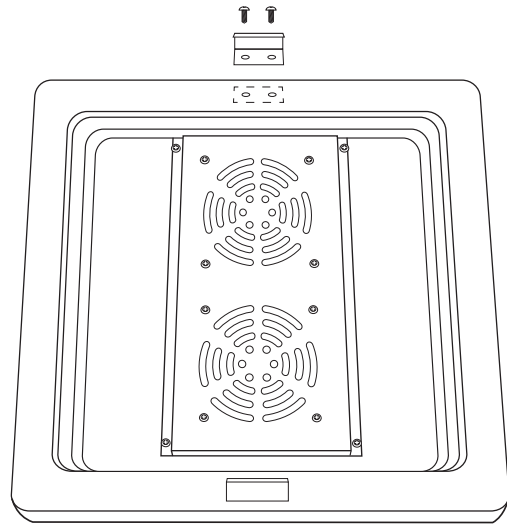




2 Mounting the lock catches

The lock catches mount to the underside of the top piece. The mount with the flat side facing the outside of the rack as per the diagram.

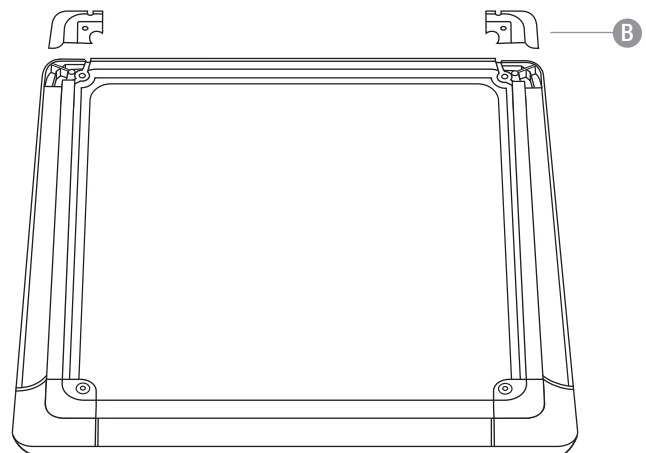
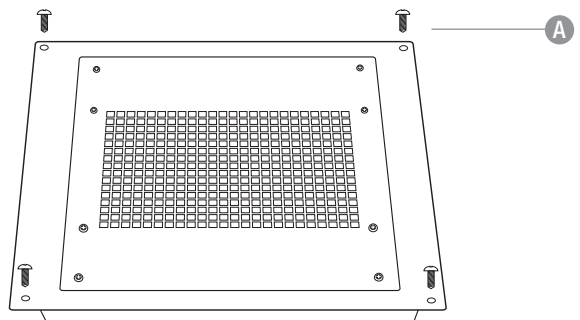
With the accessories there is a small bag of screws that contains 4 x M5x10 self tapping screws and 4 x M4x8 self tapping screws. The 4 x M5x10 screws are used to mount the lock catches.



3 Removing the inner fan tray/corner covers

A: The top piece will need the inner tray removed in order to mount it to the side frame. On the corners of the top piece there are four 4 x M6x12 silver hex bolts that will need to be removed

B: Once the inner fan tray has been removed the plastic corners need to be removed. This can be done by removing the 4 x M4x8 gold screws used to hold them in.

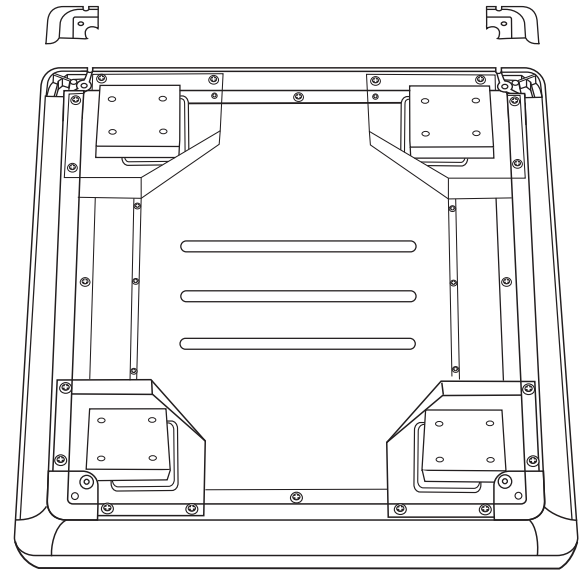




PREPARING THE BOTTOM PIECE

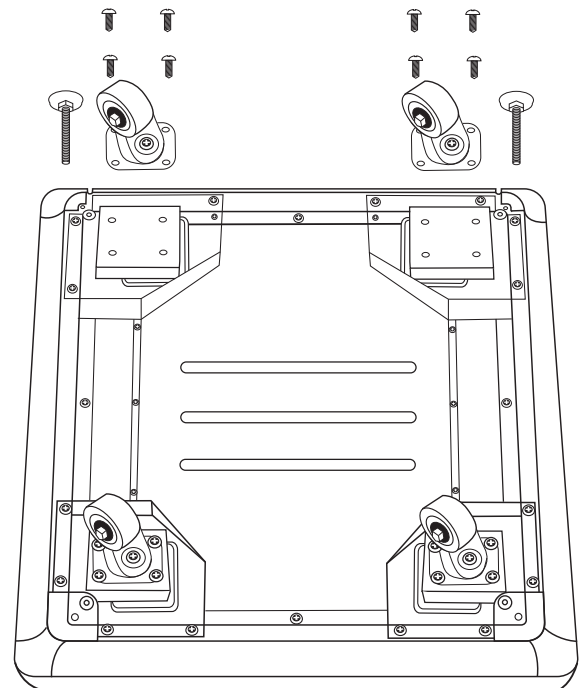
4 Removing the corner covers

The bottom piece will need the corner covers removed just like the top piece. This will allow you access to mounting the frame's side pieces to the top and bottom.



5 Installing the Wheels/Stand offs

The wheels or stand offs mount to the bottom of the bottom piece. The stand offs simply screw into the bottom piece. The wheels on the other hand will need to be screwed into the based with the 16 x M6x10 silver self tapping screws.





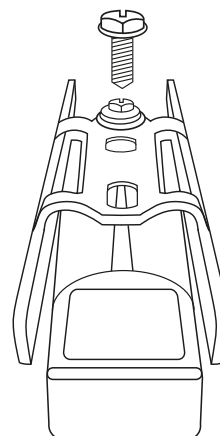
6 Mounting the front/rear locks

The locks and key sets will now need to be mounted to the front and rear door.

NOTE: It is easiest to lay the door on a flat surface with pressure on the lock when doing this and step 6 and 7.

The lock has two screws in the centre of the lock that hold on a bracket. These screws will need to be removed so the bracket can go on the backside of the door and the lock can go on the front side. It is best to keep the lock locked for this part of the process.

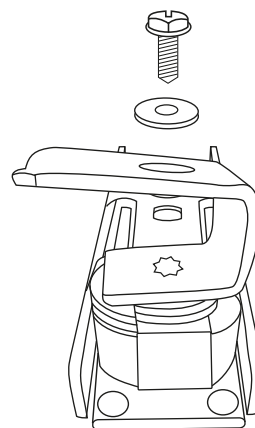
Ensure the lock is installed the correct way up. The spring loaded catch on the front and rear door indicates the top of the door.



7 Mounting the front/rear lock catches

The locking catch will now need to be mounted to the door. Once again it is best to keep the lock locked in order to fit the catch.

To fit the catch simply remove the screw from the top of the lock along with the single round washer, leave the two spacers on the square shaft. Place the lock catch on top of the two spacers with the tongue facing the closest edge of the door.

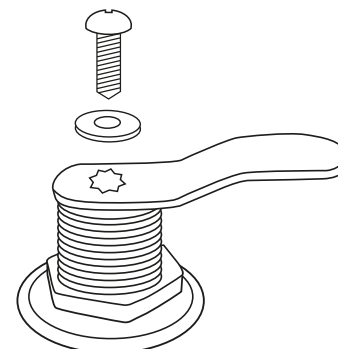


8 Mounting the side panel locks

The small barrel locks mount to the side panels. Simply remove the nut from the lock and install it in the side panel. Make sure the flat edges of the barrel lock are facing up and down once the lock is installed.

9 Mounting the side panel lock catch

To mount the catch simply remove the screw from the rear of the barrel lock and place the lock catch on the square shaft. The lock catch mounts with the tongue facing the top of the panel.



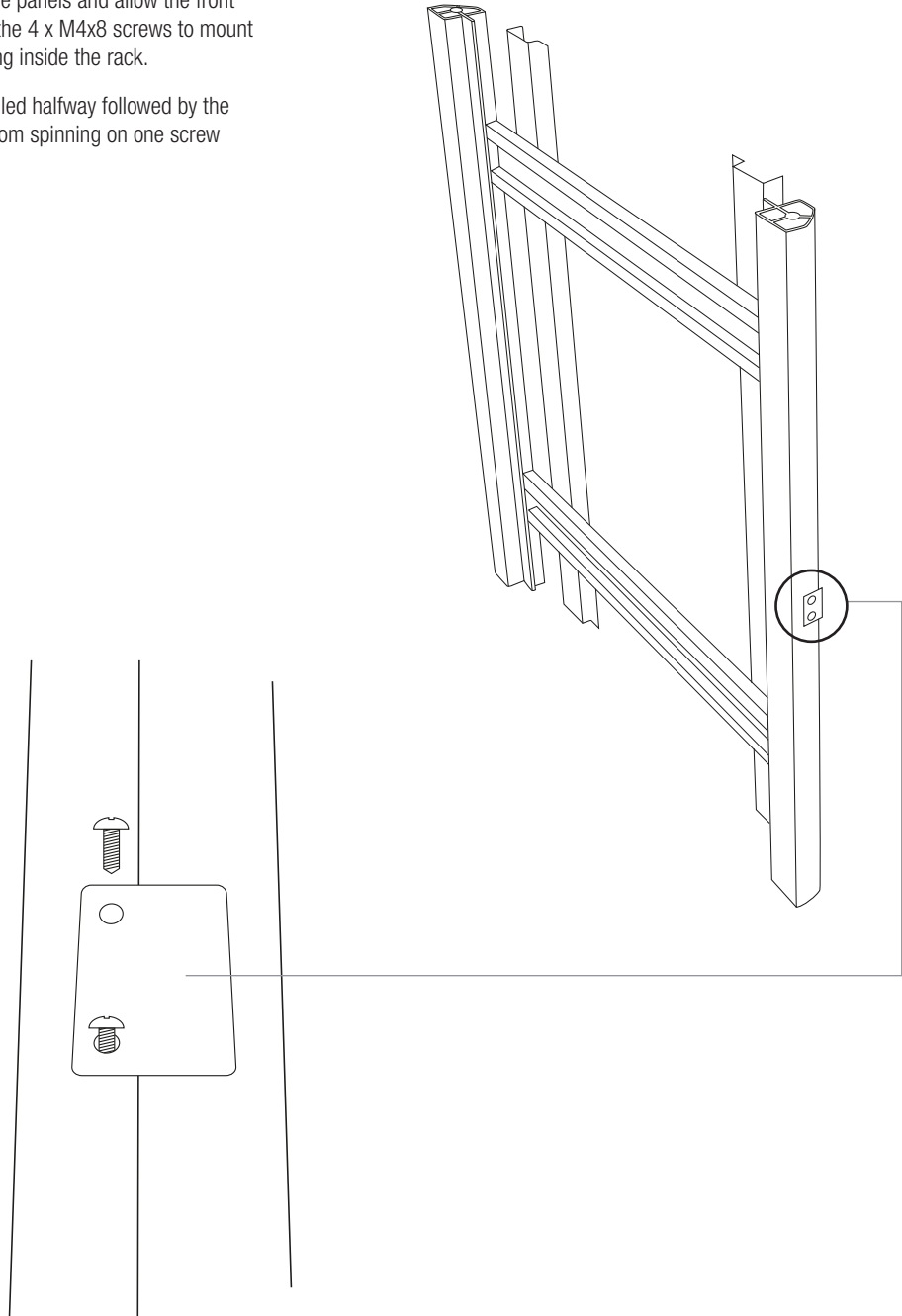


PREPARING THE SIDE PANEL

10 Mounting the front/rear lock catches

The front and rear lock catches mount on the side panels and allow the front and rear door to be locked. You will need to use the 4 x M4x8 screws to mount the lock catches, they mount with the catch facing inside the rack.

NOTE: It is suggested that one screw be installed halfway followed by the second screw as to stop the small metal piece from spinning on one screw causing damage to the rack and installer.





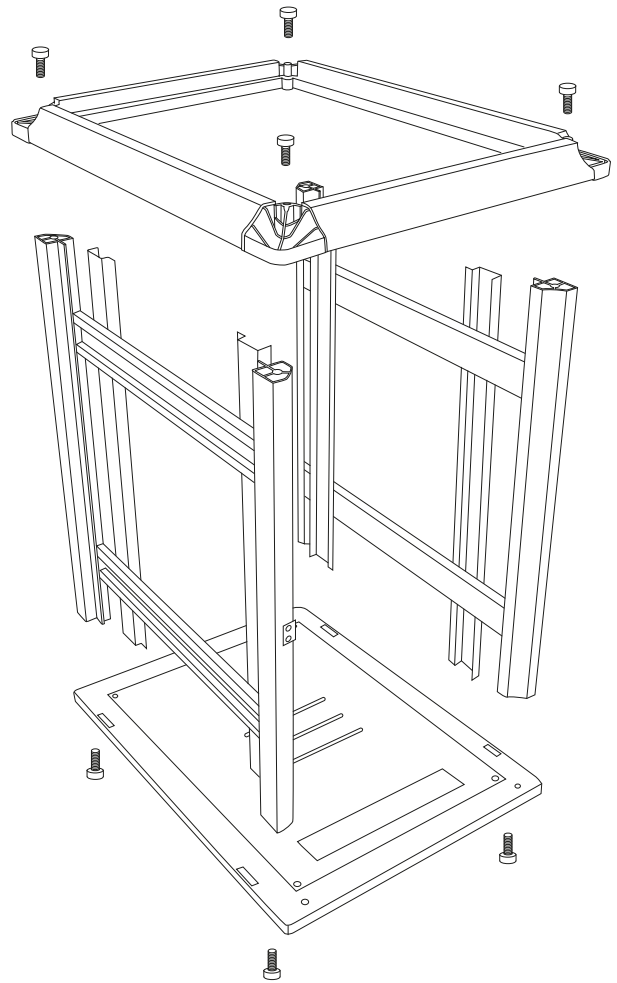
11 Mounting the top to the side panels

With the fan tray and corners removed from the top piece you can use the 8 x M8x25 hex bolts supplied in the accessories to mount the top to the side frames. It is easiest to remove the inner panel from the side frames for this step as shown.

Ensure the side panels are up the right way when mounting to the top and bottom piece. The RU markings on the side panel should start with "01" at the bottom.

12 Mounting the bottom to the side panels

With the corners removed from the bottom piece you can use the 8 x M8x25 hex bolts supplied in the accessories to mount the bottom to the side frames.

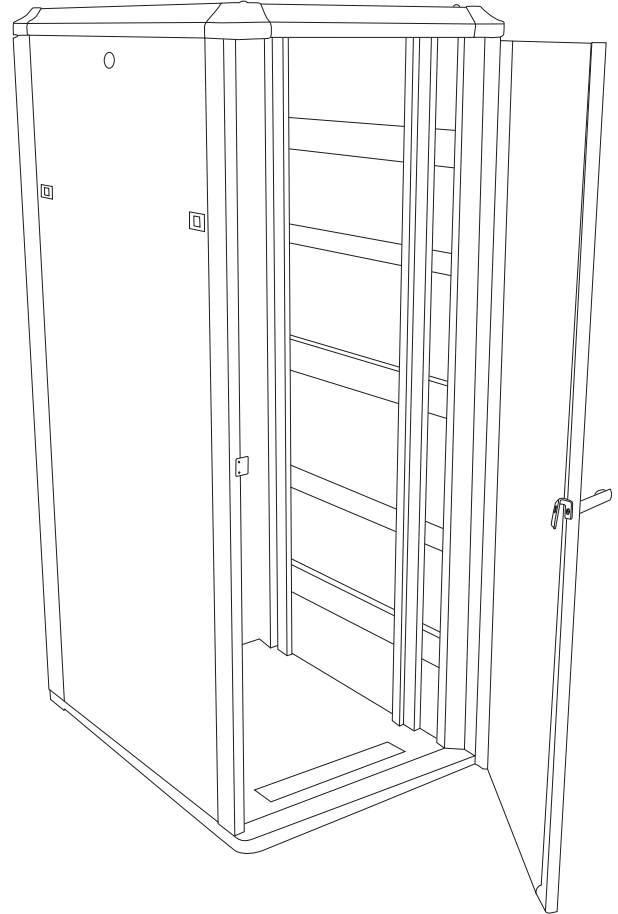




13 Mounting the Doors

In order to mount the doors to the frame you will need to locate the smaller size studs from the accessories. These simply slide in the provided holes in the bottom piece.

The door has a spring loaded catch that holds the top of the door to the top piece, whilst pulling the spring loaded catch back the bottom of the door should sit on the stud then the top of the door can be moved into place. Make sure the door freely swings fully open.





FLOOR STANDING RACKS

	INT18	INT32	INT45
Dimensions in mm (W x D x H) (On Wheels)	600 x 800 x 1050 23.6" x 31.5" x 41.3"	600 x 800 x 1620 23.6" x 31.5" x 63.7"	600 x 800 x 2200 23.6" x 31.5" x 86.6"
Net Weight	57.0 Kg 125.4 lb	82.0 Kg 180.4 lb	102.0 Kg 224.4 lb
Shipping Weight	60.3 Kg 132.7 lb	85.3 Kg 187.7 lb	106.3 Kg 234 lb
Total Weight Rating (Including Rack)	600 Kg 1320 lb	800 Kg 1760 lb	800 Kg 1760 lb

WALL MOUNT RACKS

	INT6	INT12
Dimensions in mm (W x D x H)	600 x 545 x 370 23.6" x 21.5" x 14.5"	600 x 545 x 635 23.6" x 21.5" x 25"
Net Weight	19.5 Kg 43 lb	27.0 Kg 59.4 lb
Shipping Weight	20.5 Kg 45 lb	28.0 Kg 61.6 lb
Total Weight Rating (Including Rack)	60 Kg 132 lb	60 Kg 132 lb

INT6/12 Mounting Instructions

The mounting of a wall mounted rack may be dangerous unless undertaken by a qualified professional with the required experience.

Walls and mounting surfaces must be capable of safely and securely supporting the load of the rack and its contents.

Fixings must be safely attached to both the rack and the wall or surface the rack is to mount off.

Fixings must be fitted in accordance with the makers instructions.



ENGINEERED BY AUSTRALIAN MONITOR

Address: 1 Clyde Street, Silverwater, Sydney NSW 2128 Australia. Private Bag 149, Silverwater NSW 1811 ABN 78 001 345 482

Website: www.australianmonitor.com.au International enquiries email: international@australianmonitor.com.au



DISTRIBUTED IN AUSTRALIA AND NEW ZEALAND BY HILLS SVL www.hillssvl.com.au

NSW	QLD	ACT	WA	VIC	SA	NZ
P: 02 9647 1411	P: 07 3852 1312	P: 02 6260 4544	P: 08 9204 0200	P: 03 9890 7477	P: 08 8408 8300	P: 09 415 9426
E: nsw@hillssvl.com.au	E: qld@hillssvl.com.au	E: act@hillssvl.com.au	E: wa@hillssvl.com.au	E: vic@hillssvl.com.au	E: sa@hillssvl.com.au	E: sales@hillssvl.co.nz