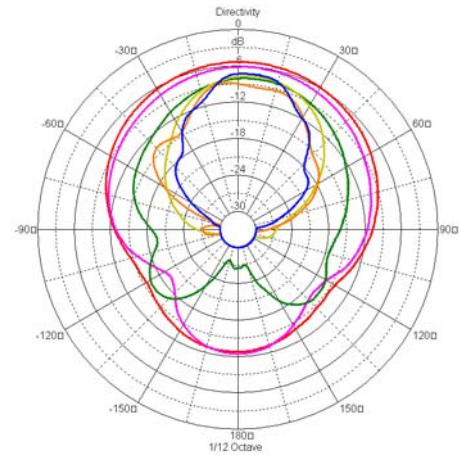
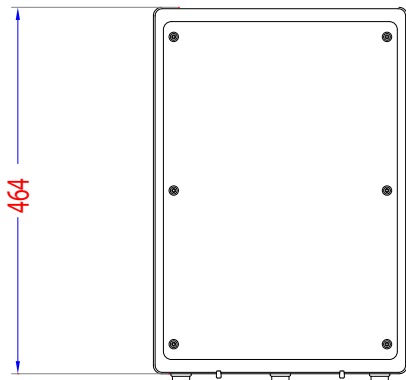
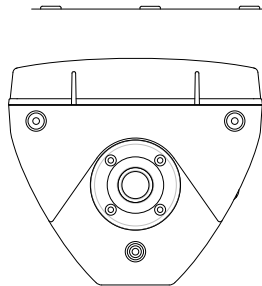
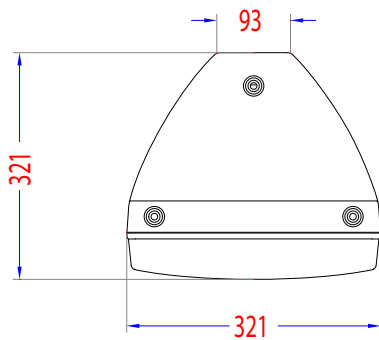
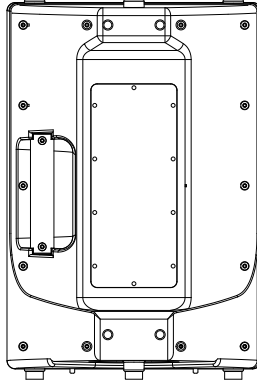


XRS10P Specification Sheet

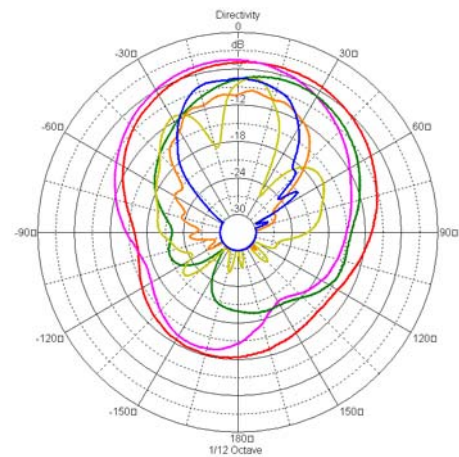
XRS10P two way active 1" compression driver & 10" woofer with biamped on board amplifier
 100 watt (low) + 50 watt (high) speaker system supplied with foldback kit

Dimensions (mm)



Polar Plots – Vertical directivity

Curve	Freq	0dB	-6 dB angle	Q	DI
—	250Hz	-5.4	176.0	2.4	3.9
—	500Hz	-6.2	179.6	2.5	4.0
—	1000Hz	-8.1	138.7	3.3	5.1
—	2000Hz	-7.8	81.6	5.4	7.4
—	4000Hz	-9.0	92.3	5.4	7.3
—	8000Hz	-7.4	63.8	7.6	8.8

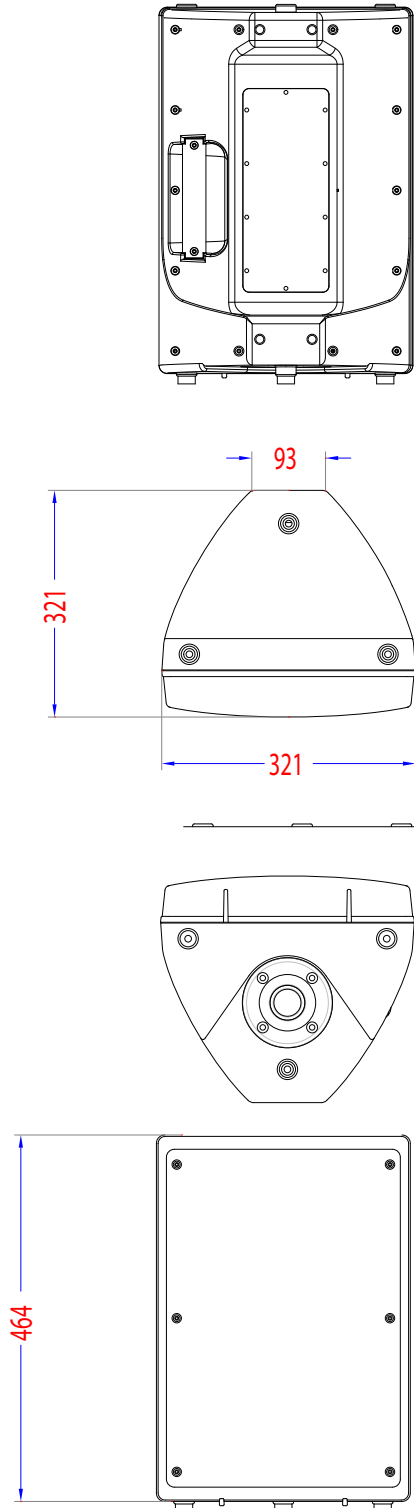


Polar Plots – Horizontal directivity

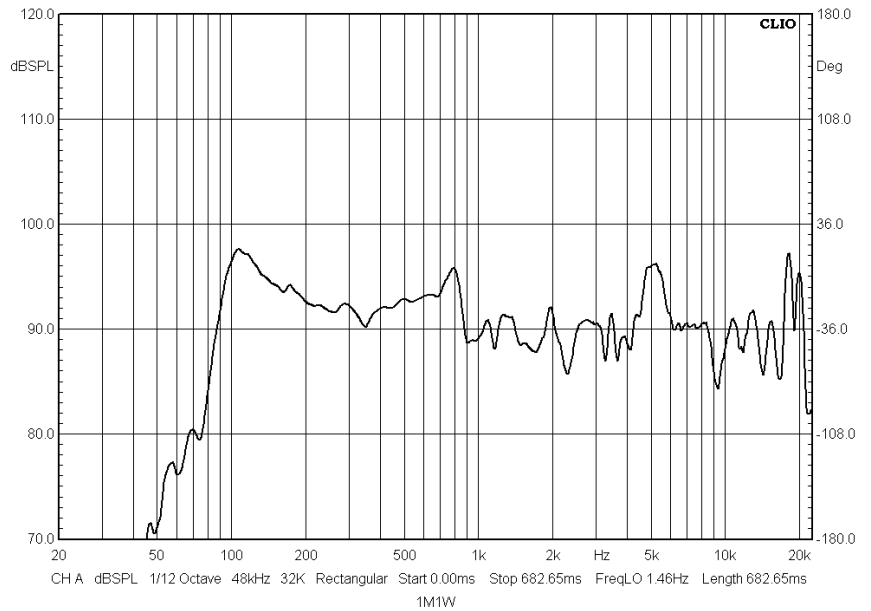
Curve	Freq	0dB	-6 dB angle	Q	DI
—	250Hz	-5.0	148.9	2.7	4.4
—	500Hz	-4.6	117.4	3.6	5.6
—	1000Hz	-7.8	123.0	3.1	5.0
—	2000Hz	-8.4	29.4	7.1	8.5
—	4000Hz	10.3	85.3	5.0	7.0
—	8000Hz	-7.6	62.2	7.2	8.6

XRS10P Specification Sheet

Dimensions (mm)



Frequency Response Curve



Specifications

Power	100W (Low) + 50W (High)
Frequency Response	55Hz - 18kHz
Compression driver dispersion	90 x 90
Weight	10.5KG

ENGINEERED BY AUSTRALIAN MONITOR. DISTRIBUTED BY HILLS SVL

ABN 78 001 345 482 Address: 1 Clyde Street, Silverwater, Sydney NSW 2128 Australia

Website: www.australianmonitor.com.au International enquiries email: international@australianmonitor.com.au

NSW Phone: (02) 9647 1411 Email: nsw@hillssvl.com.au

ACT Phone: (02) 6260 4544

Email: act@hillssvl.com.au

VIC Phone: (03) 9890 7477

Email: vic@hillssvl.com.au

QLD Phone: (07) 3852 1312 Email: qld@hillssvl.com.au

WA Phone: (08) 9204 0200

Email: wa@hillssvl.com.au

SA Phone: (08) 8352 4444

Email: sa@hillssvl.com.au

NZ Phone: (09) 415 9426 Email: sales@hillssvl.co.nz