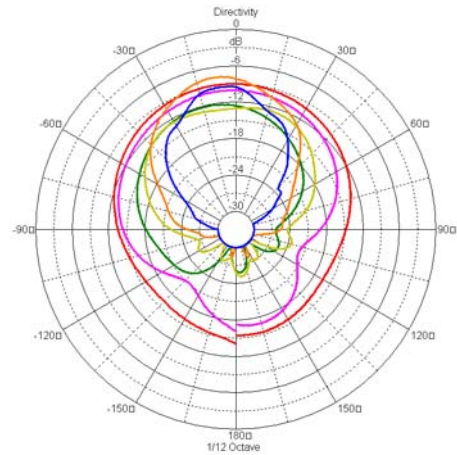
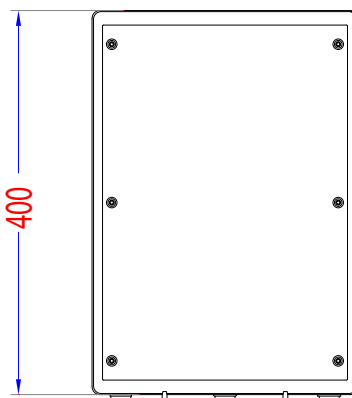
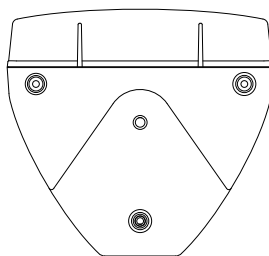
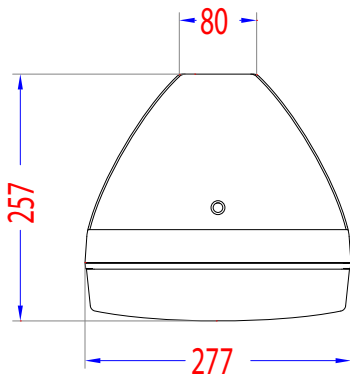
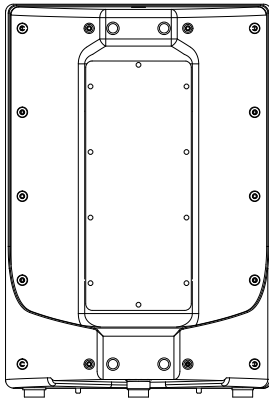


# XRS8P Specification Sheet

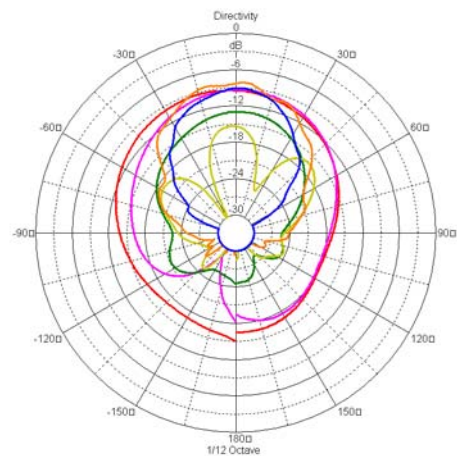
XRS8P two way active 1" compression driver & 8" woofer with biamped on board amplifier  
 100 watt (low) + 50 watt (high) speaker system supplied with U bracket & foldback kit

## Dimensions (mm)



## Polar Plots – Vertical directivity

Curve	Freq	0dB	-6 dB angle	Q	DI
—	250Hz	-9.0	197.9	2.2	3.4
—	500Hz	-10.1	177.4	2.5	3.9
—	1000Hz	-12.6	143.3	3.1	4.9
—	2000Hz	-13	142.7	2.8	4.4
—	4000Hz	-8.2	82.6	5.6	7.5
—	8000Hz	-9.5	70.5	7.1	8.5

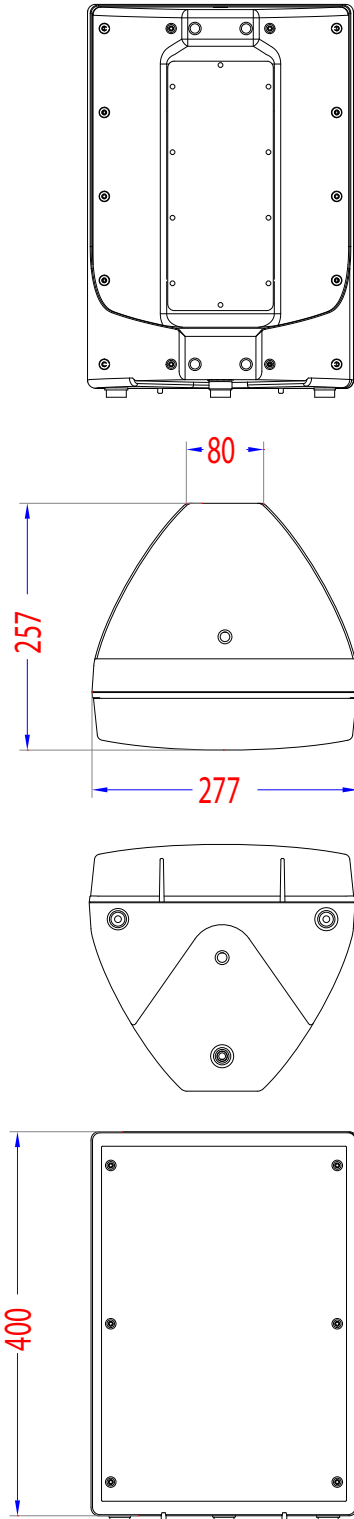


## Polar Plots – Horizontal directivity

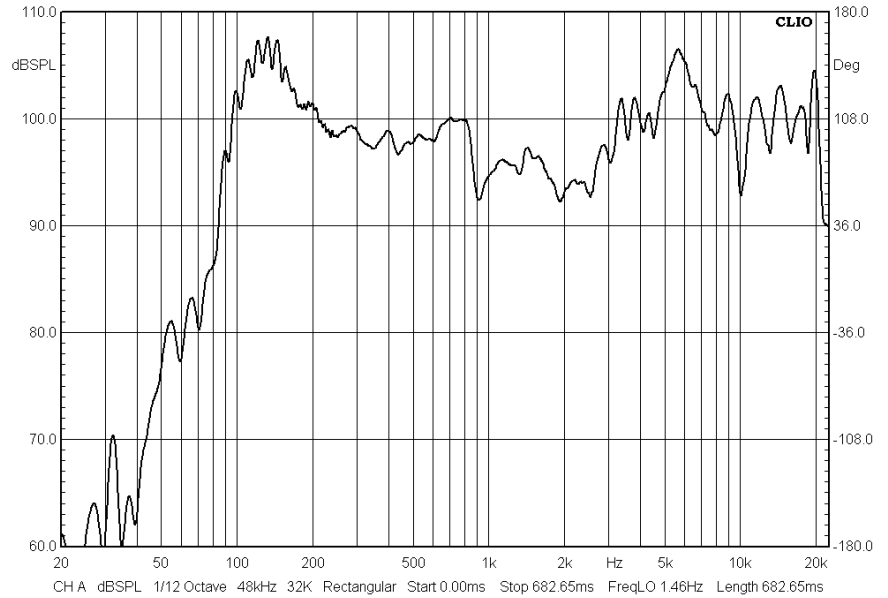
Curve	Freq	0dB	-6 dB angle	Q	DI
—	250Hz	-9.5	185.6	2.3	3.7
—	500Hz	-9.4	149.1	3.0	4.8
—	1000Hz	-13.0	120.8	3.6	5.6
—	2000Hz	-15.4	38.1	4.2	6.3
—	4000Hz	-8.3	85.4	5.5	7.4
—	8000Hz	-9.1	68.7	6.9	8.4

# XRS8P Specification Sheet

Dimensions (mm)



Frequency Response Curve



## Specifications

Power	100W (Low) + 50W (High)
Frequency Response	65Hz - 18kHz
Compression driver dispersion	90 x 90
NET Weight	8.6KG

ENGINEERED BY AUSTRALIAN MONITOR. DISTRIBUTED BY HILLS SVL

ABN 78 001 345 482 Address: 1 Clyde Street, Silverwater, Sydney NSW 2128 Australia

Website: [www.australianmonitor.com.au](http://www.australianmonitor.com.au) International enquiries email: [international@australianmonitor.com.au](mailto:international@australianmonitor.com.au)

NSW Phone: (02) 9647 1411 Email: [nsw@hillssvl.com.au](mailto:nsw@hillssvl.com.au)

QLD Phone: (07) 3852 1312 Email: [qld@hillssvl.com.au](mailto:qld@hillssvl.com.au)

NZ Phone: (09) 415 9426 Email: [sales@hillssvl.co.nz](mailto:sales@hillssvl.co.nz)

ACT Phone: (02) 6260 4544

WA Phone: (08) 9204 0200 Email: [wa@hillssvl.com.au](mailto:wa@hillssvl.com.au)

SA Phone: (08) 8352 4444 Email: [sa@hillssvl.com.au](mailto:sa@hillssvl.com.au)

VIC Phone: (03) 9890 7477

SA Phone: (08) 8352 4444 Email: [sa@hillssvl.com.au](mailto:sa@hillssvl.com.au)

SA Phone: (08) 8352 4444 Email: [sa@hillssvl.com.au](mailto:sa@hillssvl.com.au)