

EN54 HORN SPEAKER

- 10W 100V LOUDSPEAKER
- HIGH SOUND PRESSURE LEVEL
- LOW DISTORTION SOUND
- U-BRACKET MOUNTING
- ROBUST ABS PLASTIC HOUSING
- WEATHERPROOF TO IP66
- UL94 V-0 COMPLIANT
- FULLY CERTIFIED TO EN54-24



OVERVIEW

The SPHO-10W-EN54 is a 10W 100V horn loudspeaker which gives a high sound pressure level for internal and external applications, and which is certified to EN54-24. The speaker is fitted with a 100V transformer which has four power adjustment tapings of 10W, 5W, 2.5W, and 1.25W, plus a low-impedance setting (20ohm). The power adjustment is easily accessed at the rear of the speaker.

The SPHO-10W-EN54 has a robust impact resistant ABS housing, which is sealed to the IP66 environmental standard. Thus the speaker is sealed against the ingress of dust, and is sealed against high pressure water jets for sustained weather resistance in industrial applications. In addition, the body meets the UL94 V-0 flammability standard. The speaker is coloured to match RAL7035 'Light Grey'.

Mounting of the speaker is provided using a stainless-steel 'U' bracket, which provides a number of flexible mounting options. The 100V loudspeaker line connection is provided via a one metre two core LSZH cable, which is terminated with an IP65 ingress protection rated connection box. In order to provide increased fire protection, the speaker is also fitted with a 2-pin ceramic block and a thermal fuse. There is also a strap-on mast bracket available as an accessory, part number SPAC-MB-80. This mast bracket is suitable for use with masts of up to 200mm diameter.

EASE data is available for this speaker on request.

TECHNICAL DATA

Power Tappings 10W / 5W / 2.5W / 1.25 (20) W

Frequency Range 569 — 7,000 Hz

Frequency Response 370 — 13,600 Hz

SPL 1W / 1m, peak 106.7 dB

SPL 1W / 4m, peak 94.7 dB

SPL Pmax / 4m, peak 104.7 dB

Sensitivity 1W / 1m 74.5 dB

Dispersion (-6dB, 500KHz) 360°

Dispersion (-6dB, 1KHz) 237°

Dispersion (-6dB, 2KHz) 97°

Dispersion (-6dB, 4KHz) 46°

Temperature range -20 / +90 °C

Dimensions 142 x 208 mm

Weight (net) 1.81 kg

Colour RAL7035 'Light Grey'

Connector 2-pin ceramic block

Mounting 'U' Universal mounting bracket

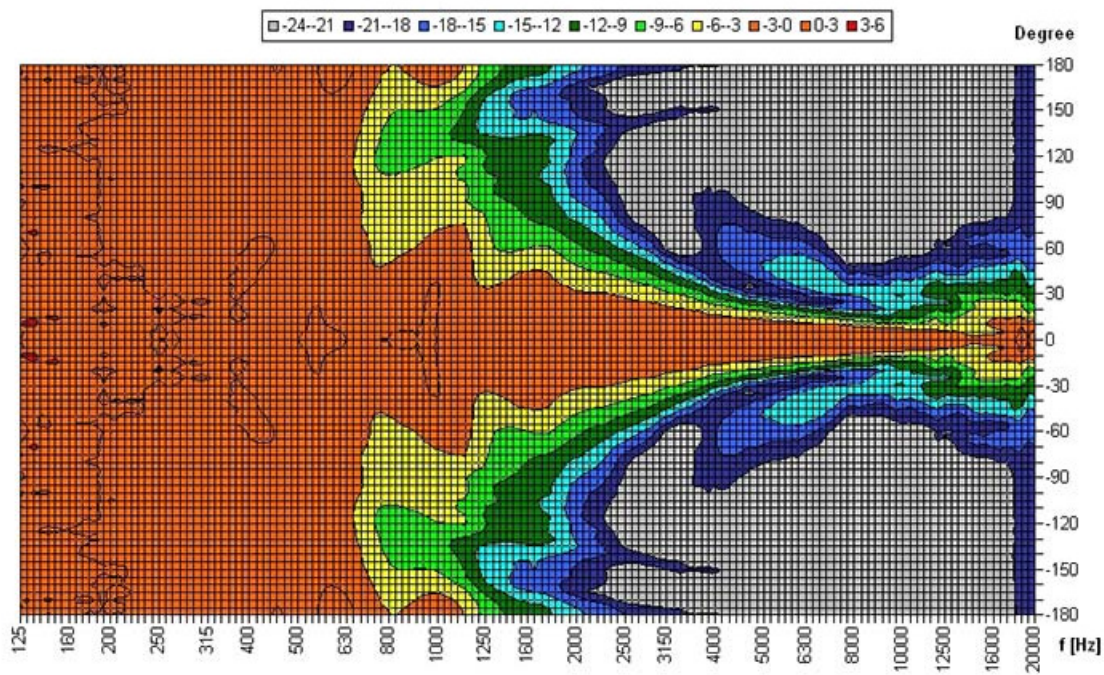
IP Rating IP66

Maximum cable cross section 8mm²

Maximum cable cross section loop 2x2mm²

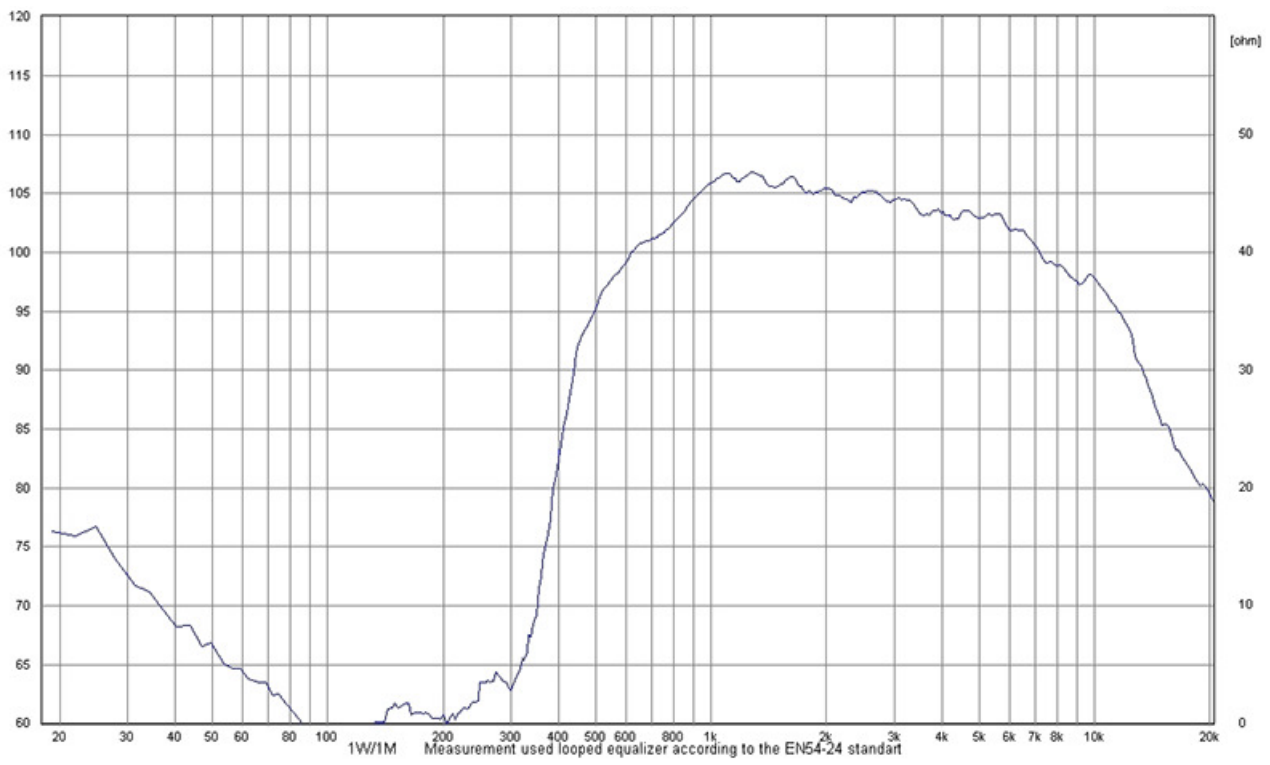
Packing Unit 8

POLAR DIAGRAM

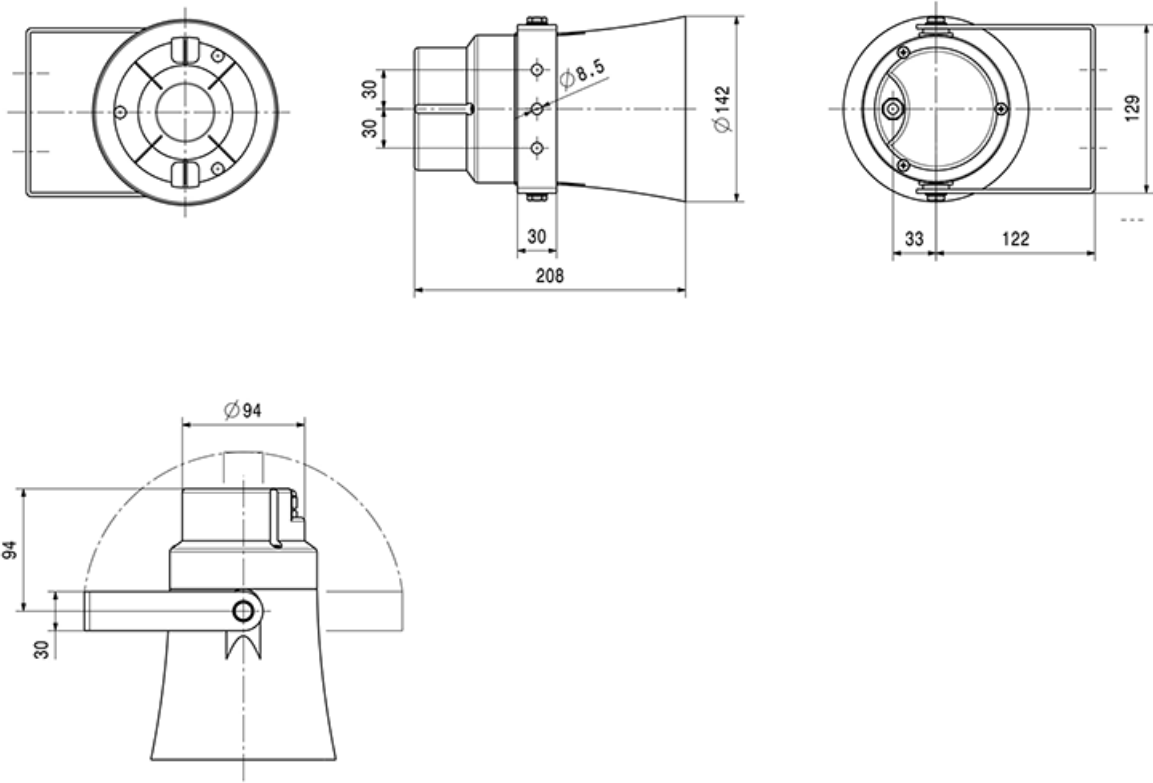


Parameters: Cyclic Move: 0° ; Symmetry: average sym ; Freq.Smooth: 1/3 Oct ; Ang.Resol.: 5° ; Rel. to: 0° Axis 0°

FREQUENCY RESPONSE DIAGRAM



DIMENSIONAL DIAGRAM



Measurements according to DIN IEC 268-5

RoHS complaint (2011/65/EU)

Made for:

Application Solutions (Safety and Security) Limited
 Unit 17 - Cliffe Industrial Estate - Lewes - East Sussex - BN8 6JL - U.K.
 Tel: +44(0)1273 405411

www.asl-control.co.uk



Assessed to ISO 9001
LPCB Cert No: C1043

All rights reserved.

Information contained in this document is believed to be accurate, however no representation or warranty is given and Application Solutions (Safety and Security) Limited assumes no liability with respect to the accuracy of such information.