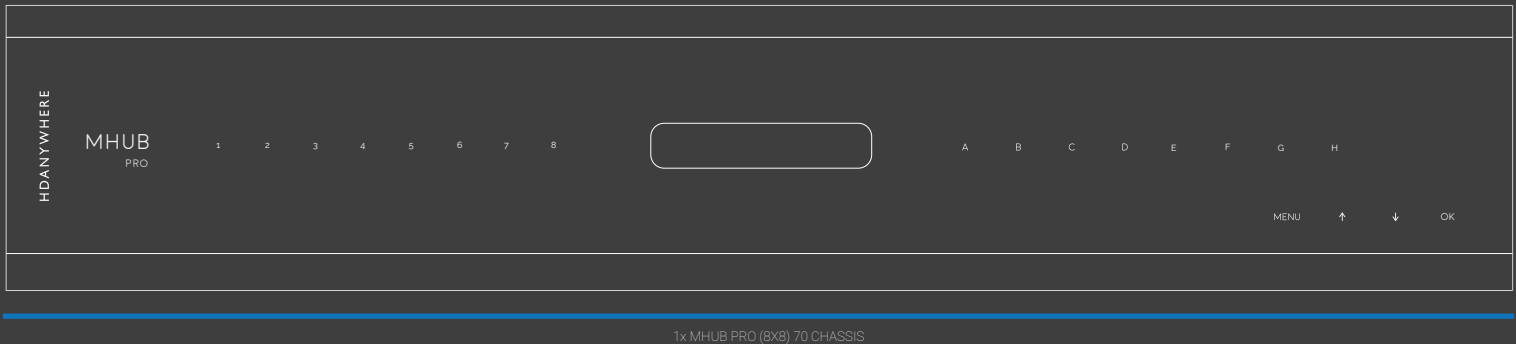
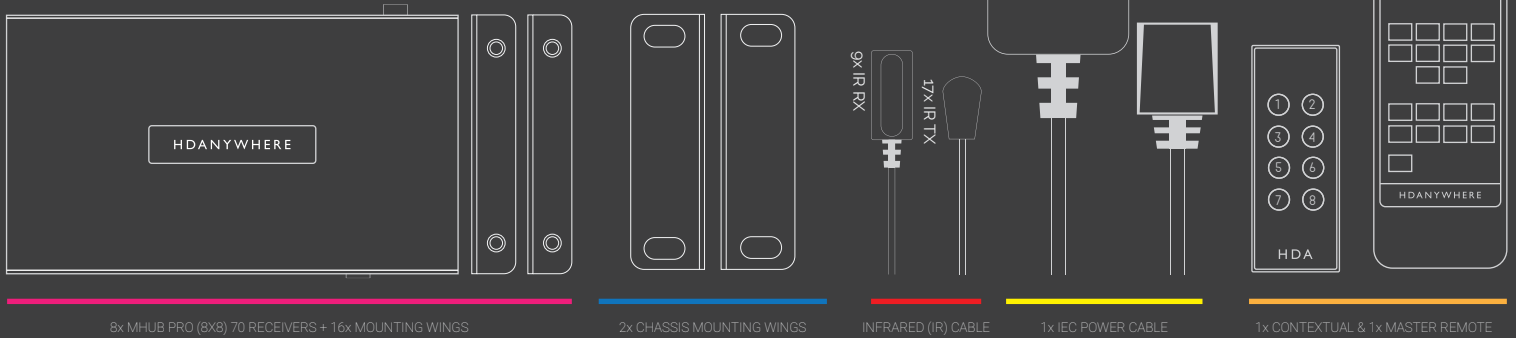


# QUICK START GUIDE

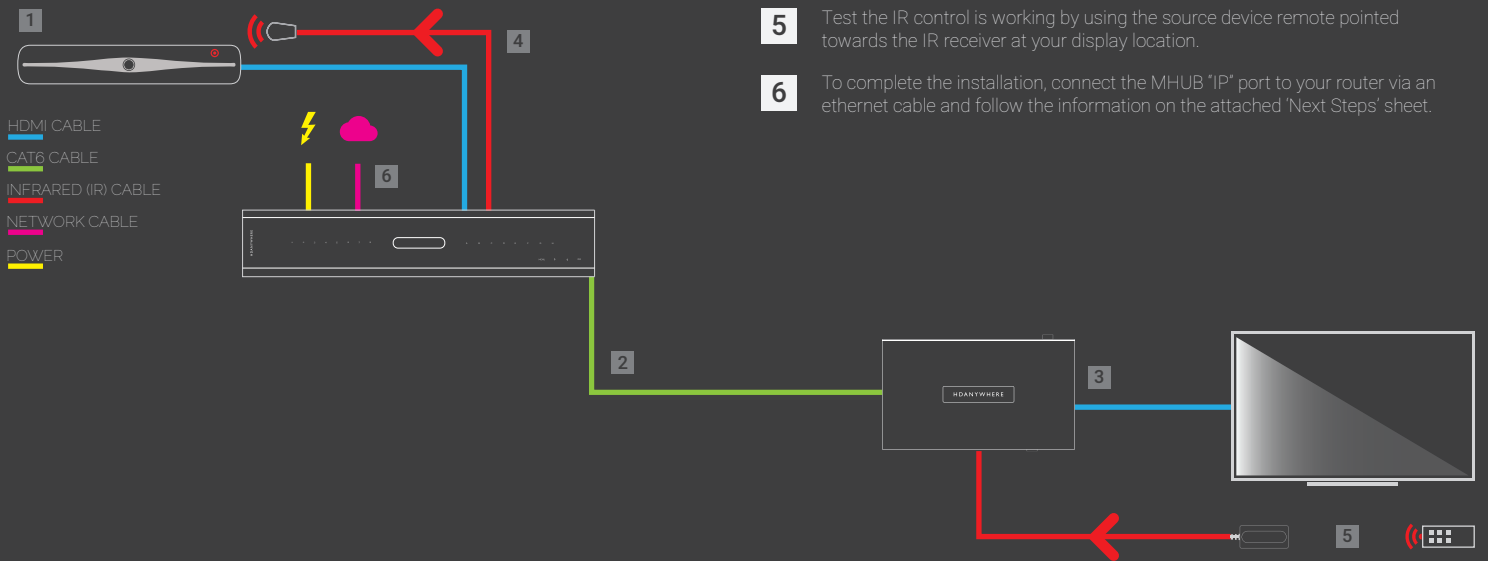
FULL MANUAL ON [HDANYWHERE.COM/SUPPORT](http://HDANYWHERE.COM/SUPPORT)

## IN THE BOX



The steps below describe how to connect a single HDMI source to a display location for outputs A-H and enable remote control (IR) signals to be sent from that location back to your MHUB chassis. Repeat the steps below as necessary for each source or display.

- 1 Connect a HDMI source device (e.g Satellite/Cable TV, Apple TV, Blu-ray, DVD etc) to one of the ports labelled "SOURCE INPUT" on the MHUB chassis using a good quality HDMI cable.
- 2 Connect a CAT cable between one of the HDBASET output ports (labelled A-H) on the MHUB chassis, and the "HDBASET" port on the MHUB receiver, power on the matrix via the included IEC cable.
- 3 Connect a HDMI cable between the port labelled "HDMI OUT" on the MHUB receiver and a HDMI port on your display. Ensure that your display is switched to the correct input. Note: MHUB receivers do not need any power cables to work, power is delivered from the MHUB chassis. Check the white LED light on the MHUB receiver is lit, this indicates a connection with the MHUB chassis. Check that you are receiving a picture on the connected display.
- 4 To control your HDMI source from your display location, connect an IR TX to the "SOURCE IR (OUT)" port on the MHUB chassis, that matches the "SOURCE INPUT" port number for the source you want to control. Connect an IR RX to the "IR (IN)" port on the MHUB receiver.
- 5 Test the IR control is working by using the source device remote pointed towards the IR receiver at your display location.
- 6 To complete the installation, connect the MHUB "IP" port to your router via an ethernet cable and follow the information on the attached 'Next Steps' sheet.

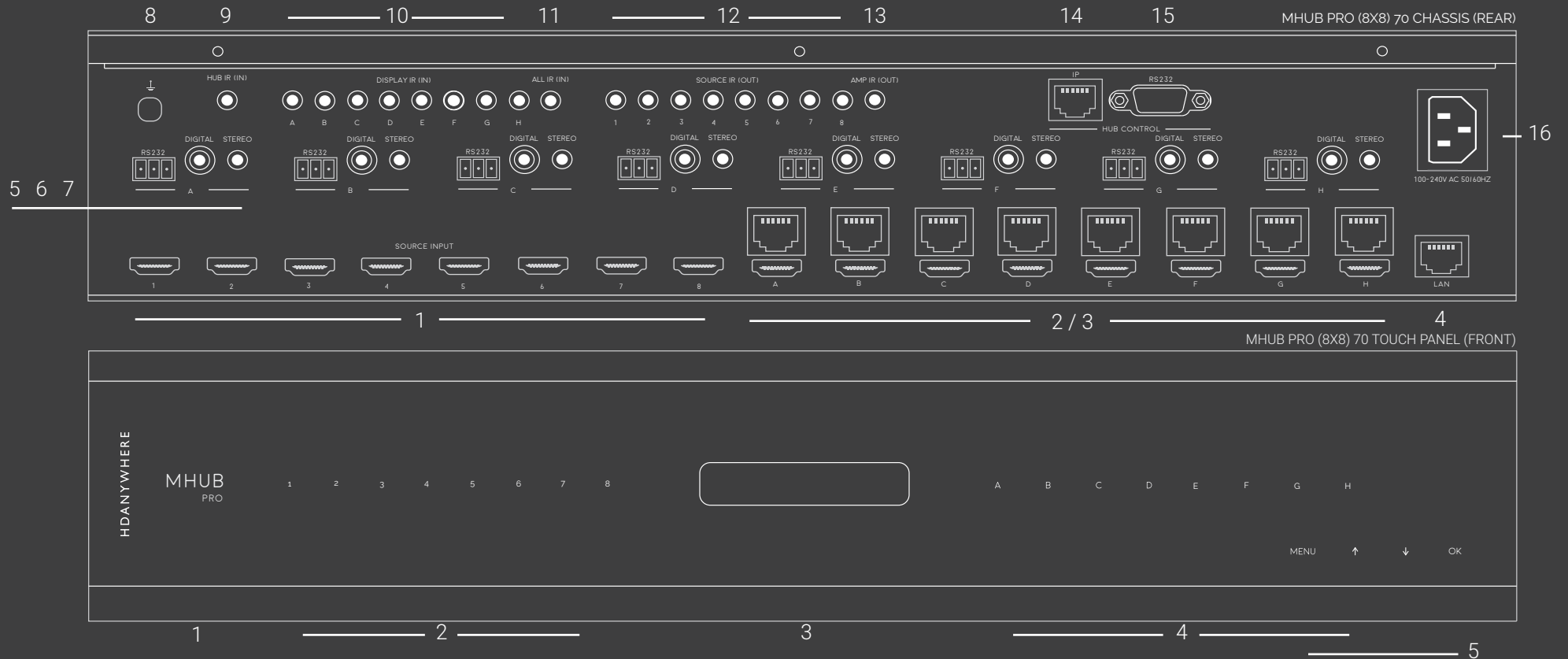


## CAT6 RESOLUTION/DISTANCE GUIDE

										HD	UHD	
0m	10m	20m	30m	40m	50m	60m	70m	80m	90m	100m		
0ft	32ft	65ft	98ft	131ft	164ft	197ft	230ft	262ft	295ft	328ft		

# PORTS & LABELS

FULL MANUAL ON [HDANYWHERE.COM/SUPPORT](http://HDANYWHERE.COM/SUPPORT)



MHUB PRO (8X8) 70 CHASSIS (REAR)

MHUB PRO (8X8) 70 TOUCH PANEL (FRONT)

- 1 **"SOURCE INPUTS" [1-8]:** Use to connect HDMI source devices to the MHUB matrix
- 2 **"HDBASET" Outputs [A-H]:** Connect your MHUB receivers to these ports via a CAT cable
- 3 **"HDMI" Outputs [A-H]:** These ports provide a mirror of the corresponding HDBASET output
- 4 **"LAN" Port:** If you wish to enable the ethernet ports on your MHUB 4K Pro receivers, then connect your router to this port via an ethernet cable
- 5 **Receiver RS232 port:** See manual
- 6 **"DIGITAL" audio port:** Use this port to extract multi-channel audio via a coaxial cable
- 7 **"STEREO" audio port:** Use this port to extract down-mixed stereo audio via a 3.5mm jack cable
- 8 **Earthing Point:** Use to earth your MHUB
- 9 **"HUB IR (IN)":** Connect an IR RX to this port to control your MHUB with the included IR remote control (or other learning remote) whilst in line-of-sight of the IR RX. Or control the MHUB with a third party controller via direct IR, using the optional add-on accessory called the 'MHUB IR integration cable'. (1.55.911.001.1)

- 10 **"DISPLAY IR (IN)" [1-8]:** Connect IR RXs to these ports to control your displays via IR with a third party control system
- 11 **"ALL IR (IN)":** Connect an IR RX to this port to send commands to all displays simultaneously
- 12 **"SOURCE IR (OUT)" [1-8]:** Connect IR TXs to these ports to control your source devices via IR. The "SOURCE IR" port number corresponds with the source input number
- 13 **"AMP IR (OUT)":** If you have an AVR in your system, connect an IR TX to this port and place it on the IR window of your AVR
- 14 **"HUB CONTROL IP" Port:** Connect the MHUB system to your router via this port to enable controllability via TCP/IP commands, web GUI access and system control via the uControl App
- 15 **"HUB CONTROL RS232" Port:** Use to integrate your MHUB with a control system via RS232
- 16 **AC input:** Connect the supplied IEC lead to this port to provide power to your MHUB

- 1 **MHUB PRO logo ON/OFF:** Press and hold for 2 seconds to turn MHUB matrix on or off
- 2 **Source Selector (1-8):** Select which source you want to switch to, followed by display A-H
- 3 **LCD Panel:** Displays MHUB system information and routing status
- 4 **Display Selector (A-H):** Select which display you want to output to
- 5 **Menu and Navigation Control:** Brings up EDID, IP and other menu settings

- 3 **"IR IN":** Connect an IR RX to the 'IR (IN)' port to send IR commands back to the MHUB chassis
- 4 **"IR OUT":** Connect an IR TX to enable control of your display
- 5 **"HDMI OUT":** Connect this to your local display using a HDMI cable
- 6 **RS232 Port:** See manual
- 7 **Dual Ethernet Ports:** Connect ethernet cables to these ports to provide a wired ethernet connection to local devices

MHUB PRO (8X8) 70 RECEIVER

- 1 **Optional DC input:** Plug a 24V / 1A DC power supply into the unit if you are not using PoH
- 2 **HDBASET:** Connects back to the HDBASET output on the MHUB chassis

