

# Unison™ USB Mechanism

MU1A-WH



## 2.1A USB mechanism that clips into standard wall plate

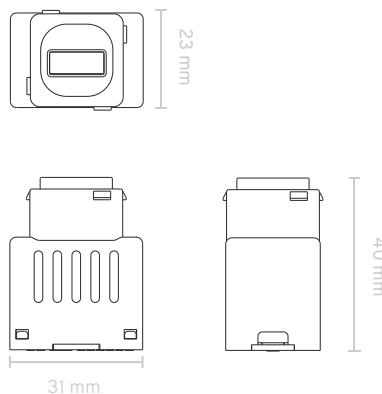
### FEATURES

- Compatible with KASTA Unison™ range of wall plates and most other Australian wall plates
- USB Type A design
- Perfect for extra switch aperture on KASTA Edgy™ and Tallic™ double powerpoints
- Fit up to 3 USB charger mechanisms in 1 wall plate
- Suits most smart phones and tablets
- Provides maximum of 2.1A fast charge to electronic devices
- High efficiency, less than 50mW standby power
- Over-current protection
- 1 year warranty

### SPECIFICATIONS

Power Supply	220-240V a.c. 50Hz
Standby Power	<1mA +/-5%
Output Power	5V d.c. +/-5% Max. 2.0A SELV
Operating Ambient Temperature	5 to 40°C
IP Rating	IP20
Physical Connection Type	Fly leads
Wiring Connections	Active & Neutral
Wire Size	2 x 0.75mm <sup>2</sup>
Housing Material	Polycarbonate (PC)
Standards Complied	AS/NZS 60950.1, AS/NZS CISPR 32

### DIMENSIONS



### CONNECTION

