

## DLM8 and DLM12

The Mackie DLM8 and DLM12 each deliver 2000 watts into the most compact, professional portable loudspeaker design ever. Featuring TruSource™ technology, the DLM loudspeakers are equipped with Mackie's TruSource driver that incorporates the high-output 8" [DLM8] and 12" [DLM12] woofer and 1.75" compression driver into an incredibly compact common-magnet design. Powerful TruSource DSP delivers seamless clarity, consistent dispersion and unmatched fidelity.

These versatile loudspeakers feature the Mackie DL2 integrated digital mixer, providing a dual-channel mixing solution for a wide array of possible connections with incredible channel features like 3-band EQ and 16 great-sounding effects. Plus, system processing like a multi-band feedback destroyer, six speaker modes and Smart Protect technology provide the tools needed for truly professional applications.

With configuration options that include pole / wall mounting and flying, the sleek DLM loudspeakers are a powerful solution for high-end installs. The ultra-compact form factor includes a rugged PC-ABS cabinet, powder-coated grille and integrated kickstand for personal monitor use.

The new shape of sound – Mackie DLM8 and DLM12.

### FEATURES:

- 2000W power via ultra-efficient Class-D amplification
- TruSource™ technology
  - Mackie designed, vertically-aligned, common-magnet TruSource driver
    - 8" LF woofer / 1.75" HF driver [DLM8]
    - 12" LF woofer / 1.75" HF driver [DLM12]
    - Incredibly compact, lightweight design
  - Powerful TruSource DSP delivers seamless clarity, consistent dispersion and unmatched fidelity
- DL2 Integrated Digital Mixer
  - Powerful, one-touch digital mixer with bright OLED screen
  - Two highly-versatile input channels with FX
    - Independent channel level, 3-band EQ and effects control
    - 16 great-sounding effects include reverb, chorus and delay
    - XLR / TRS combo and dual RCA connectors
    - Handles mic, line, stereo and instrument signals
  - Unmatched system control for professional applications
    - Multi-band feedback destroyer
    - Six speaker modes deliver the perfect voicing for your application
    - Alignment delay up to 300ms for delay stack, balcony, etc.
    - Three memory locations for instant venue setting recall
    - Smart Protect DSP dynamically protects amp / driver
- Innovative ultra-compact design
  - 1/3 smaller than a traditional 2-way design
  - Fit an entire DLM system in nearly any car
  - Stack them up for storage
  - Pole-mountable on tripod or atop DLM12S using SPM300 speaker pole
  - Flyable via standard M10 rigging hardware
  - Wall-mount them using SWM300 articulated arm for stealthy, powerful install system
  - Roadworthy PC-ABS cabinet with pro black finish and ergonomic top carry handle
  - Rugged, powder-coated 20 gauge steel grille
  - Integrated kickstand delivers the perfect angle for personal monitor use
  - Ridiculously lightweight
    - 22 lb / 10 kg [DLM8]
    - 31 lb / 14.1 kg [DLM12]



## DLM8/I2 LOUDSPEAKER SPECIFICATIONS

### Acoustic Performance

Frequency Response (-10 dB)	65 Hz – 20 kHz [DLM8] 38 Hz – 20 kHz [DLM12]
Max peak SPL (@ 1m calculated) <sup>1</sup>	125 dB [DLM8] 128 dB [DLM12]
Crossover Point	1.6 kHz
Dispersion	90° conical

### Equalization

Low Shelving	±15 dB @ 80 Hz
Mid-Peaking	±15 dB @ 2.5 kHz
High Shelving	±15 dB @ 12 kHz
Increments	±3 dB

### High-Frequency Section

Voice Coil Diameter	1.75 in / 44 mm
Horn Entry Diameter	1.0 in / 25 mm
Diaphragm Material	Polyimide Film
Magnet Material	Ferrite

### Low-Frequency Section

Woofer Diameter	8.0 in / 203 mm [DLM8] 12.0 in / 305 mm [DLM12]
Voice Coil Diameter	2.0 in / 51 mm [DLM8] 2.5 in / 64 mm [DLM12]
Diaphragm Material	Paper
Magnet Material	Ferrite

### Power Amplifiers

<b>System Power Amplification</b>	
Rated Power	1000 watts rms 2000 watts peak

### Low Frequency Power Amplifier

Rated Power	500 watts rms 1000 watts peak
Rated THD	< 1%
Cooling	Multi-speed fan
Design	Class D

### High Frequency Power Amplifier

Rated Power	500 watts rms 1000 watts peak
Rated THD	< 1%
Cooling	Multi-speed fan
Design	Class D

### DL2 Digital Mixer System Processing

EQ	Six speaker modes
Alignment Delay	0-300 ms
FX	16 presets
Multi-band feedback destroyer	On / Off / Clear / Hold
Memory	Three locations for instant venue setting recall and factory reset

### Input / Output

<b>Channel 1</b>	
Mic	3.3 kΩ balanced
Line	20 kΩ balanced 10 kΩ unbalanced
1/4" TRS	16 kΩ balanced 8 kΩ unbalanced

<b>Channel 2</b>	
XLR Line	20 kΩ balanced 10 kΩ unbalanced
1/4" TRS [Hi-Z instrument]	1 MΩ unbalanced
RCA	25 kΩ unbalanced

Thru	Male XLR balanced
------	-------------------

<sup>1</sup> Calculated from driver sensitivity and amplifier power.

**DLM8/I2 LOUDSPEAKER SPECIFICATIONS CONT...****Power**

US detachable line cord	100 – 120 VAC, 50 – 60 Hz, 250W
EU detachable line cord	220 – 240 VAC, 50 – 60 Hz, 250W
AC Connector	3-pin IEC 250 VAC
Operating Temperature	0 - 40 °C
[extended ambient temperature]	32 - 104 °F

**Safety Features**

Input Protection	Peak and RMS limiting, power supply and amplifier thermal protection
Display LEDs	Defeatable front power ON, Front load power limiter
Status Info	Power supply voltage, Core temperature

**Construction Features**

Cabinet	PC-ABS [High-strength]
Finish	High durability black paint
Handles	One on top
Grille	Powder-coated 20 gauge steel
Fly Points	Three M10 x 17 mm
Monitor Angle	50° (using integrated kickstand)

**Mounting Methods**

Floor mount, pole mount, wall mount or fly via three integrated M10 mounting points (using M10 x 17 mm forged shoulder eyebolts).

**Physical Properties (packaged product)**

<b>DLM8</b>	
Height	16.0 in / 406 mm
Depth	16.0 in / 406 mm
Width	16.5 in / 419 mm
Weight	26 lb / 11.8 kg

**DLM12**

Height	19.3 in / 490 mm
Depth	20.0 in / 508 mm
Width	20.5 in / 521 mm
Weight	37 lb / 16.8 kg

**Physical Properties (product)**

<b>DLM8</b>	
Height	12.3 in / 313 mm
Depth	11.9 in / 302 mm
Width	12.1 in / 307 mm
Weight	22 lb / 10 kg

**DLM12**

Height	15.9 in / 403 mm
Depth	14.3 in / 363 mm
Width	15.3 in / 389 mm
Weight	31 lb / 14.1 kg

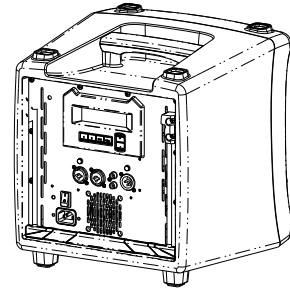
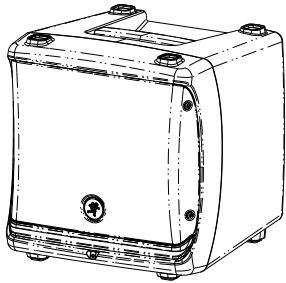
**Options**

PA-A3 Forged Shoulder Eyebolt Kit (3 x M10 x 17 mm)	P/N 2036960
SPM300 Loudspeaker Pole Mount	P/N 2036970
SWM300 Swivel Wall Mount	P/N 2034990
DLM8 Loudspeaker Bag	P/N 2036809-19
DLM12 Loudspeaker Bag	P/N 2036809-20


**Ordering Information**

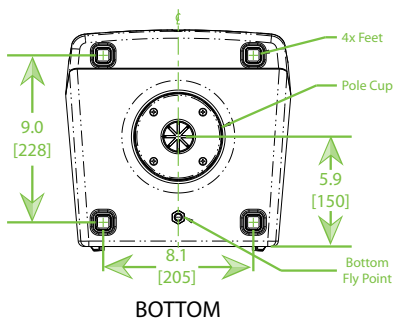
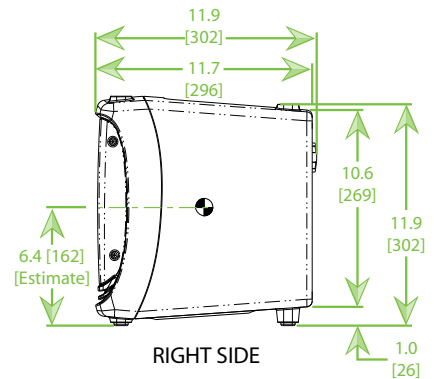
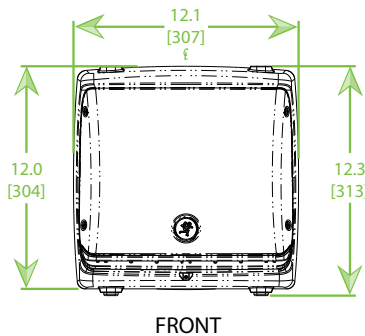
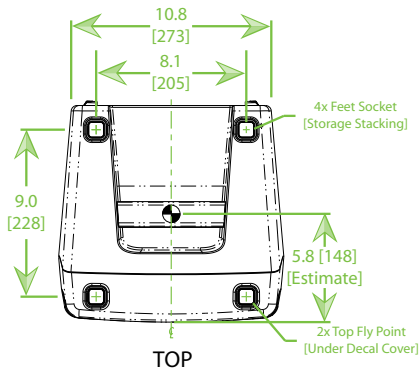
DLM8 2000W 8" Powered Loudspeaker, US	P/N 2037869-00
DLM8 2000W 8" Powered Loudspeaker, EU	P/N 2037869-01
DLM12 2000W 12" Powered Loudspeaker, US	P/N 2037875-00
DLM12 2000W 12" Powered Loudspeaker, EU	P/N 2037875-01

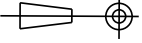
### DLM8 LOUSPEAKER DIMENSIONS

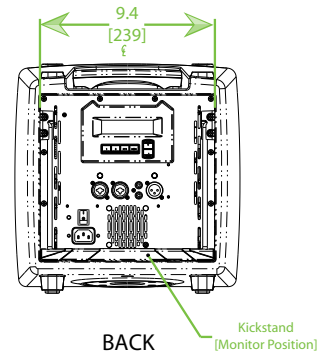


**NOTES:**

1. SYMBOL  INDICATES CENTER OF BALANCE.
2. WEIGHT APPROX. 22 lb [10 kg].
3. SHIPPING WEIGHT APPROX. 26 lb [11.8 kg].

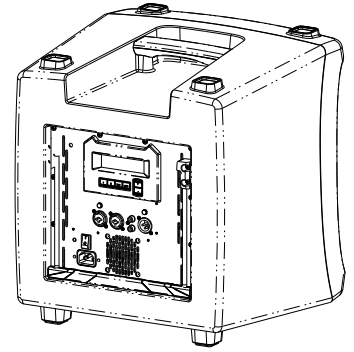
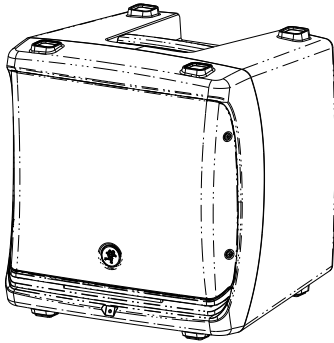



<p>THIRD ANGLE PROJECTION</p> 	<p>UNLESS OTHERWISE SPECIFIED: ALL DIMENSIONS ARE IN INCHES DUAL (MM) DIMENSIONS FOR REF ONLY</p> <p>TOLERANCE IN INCHES LINEAR ± 0.13 in / ± 3.3 mm ANGLES ± 1°</p> <p>(X.XX) = REF DIMS NO TOLERANCE IMPLIED</p> <p>TSC = THEORETICAL SHARP CORNER</p> <p>DIMENSIONS ACROSS CENTERLINES TO BE SYMMETRICAL</p>
<p>THE INFORMATION CONTAINED HEREIN IS PROPRIETARY AND CONFIDENTIAL PROPERTY OF LOUD TECHNOLOGIES, INC. ALL RIGHTS RESERVED</p>	

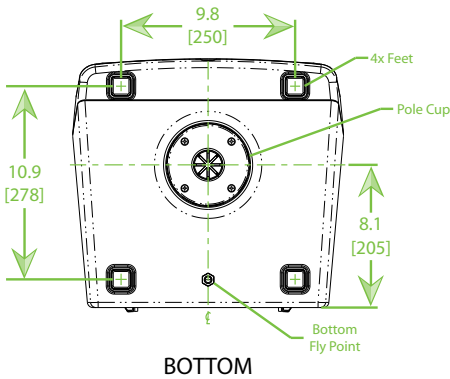
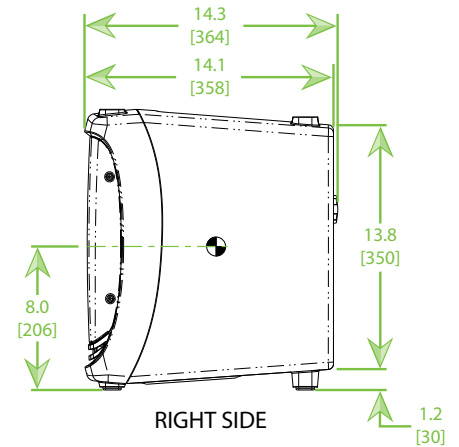
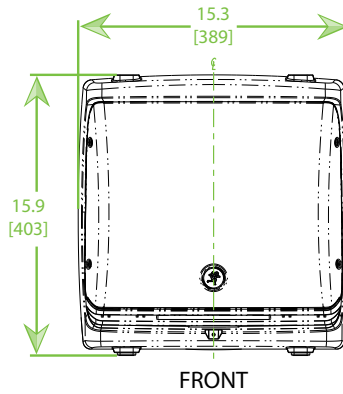
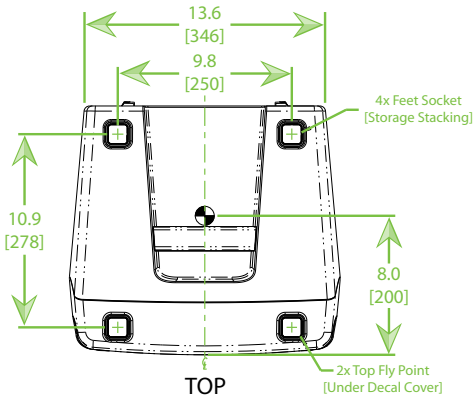


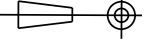


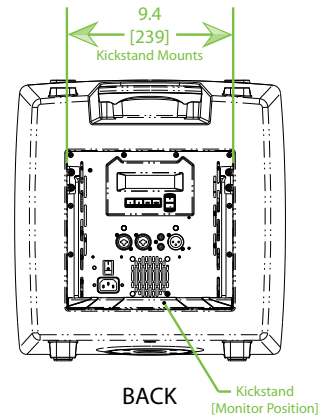
### DLM12 LOUDSPEAKER DIMENSIONS



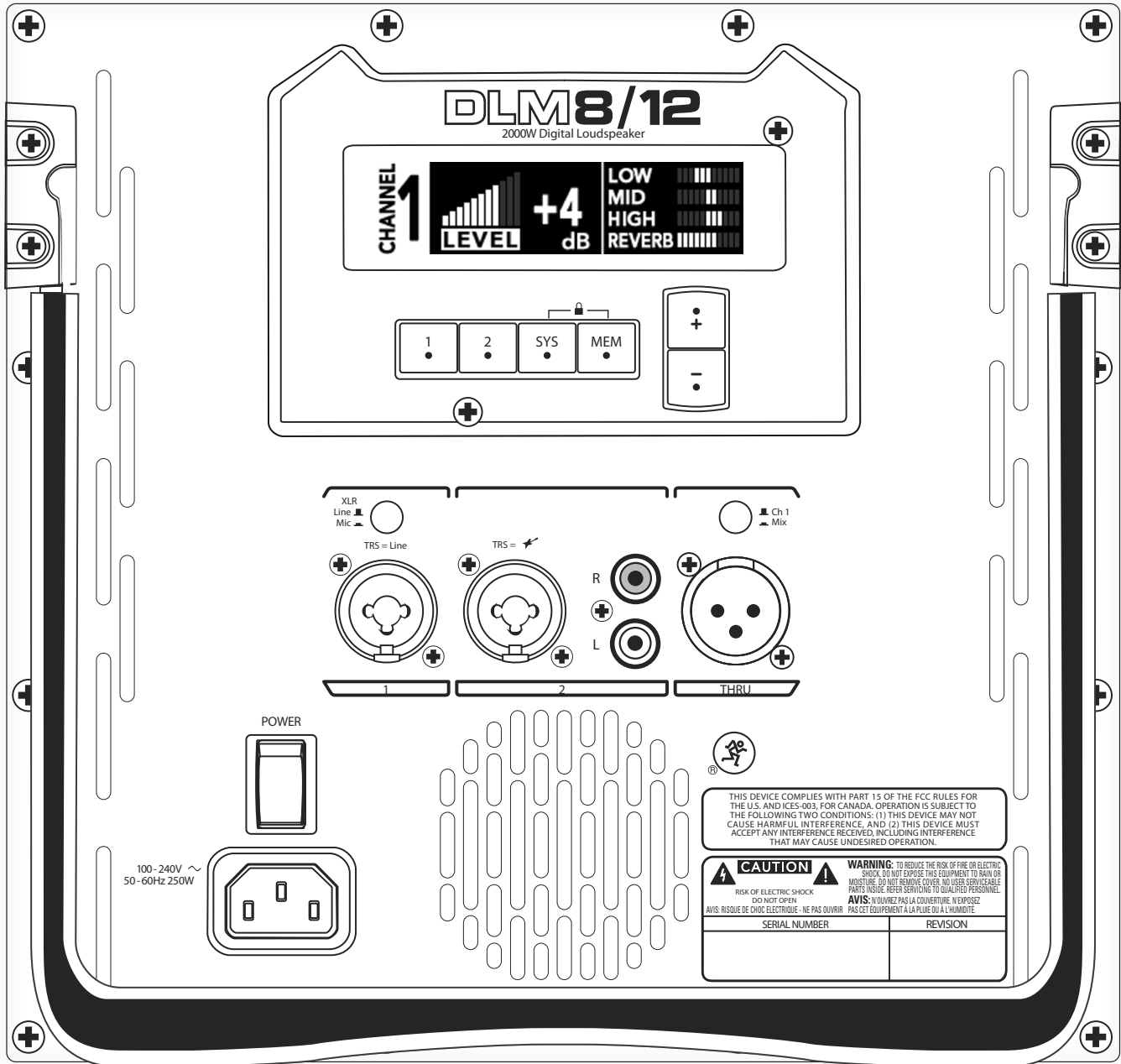
- NOTES:
1. SYMBOL  INDICATES CENTER OF BALANCE.
  2. WEIGHT APPROX. 31 lb [14.1 kg].
  3. SHIPPING WEIGHT APPROX. 37 lb [16.8 kg].



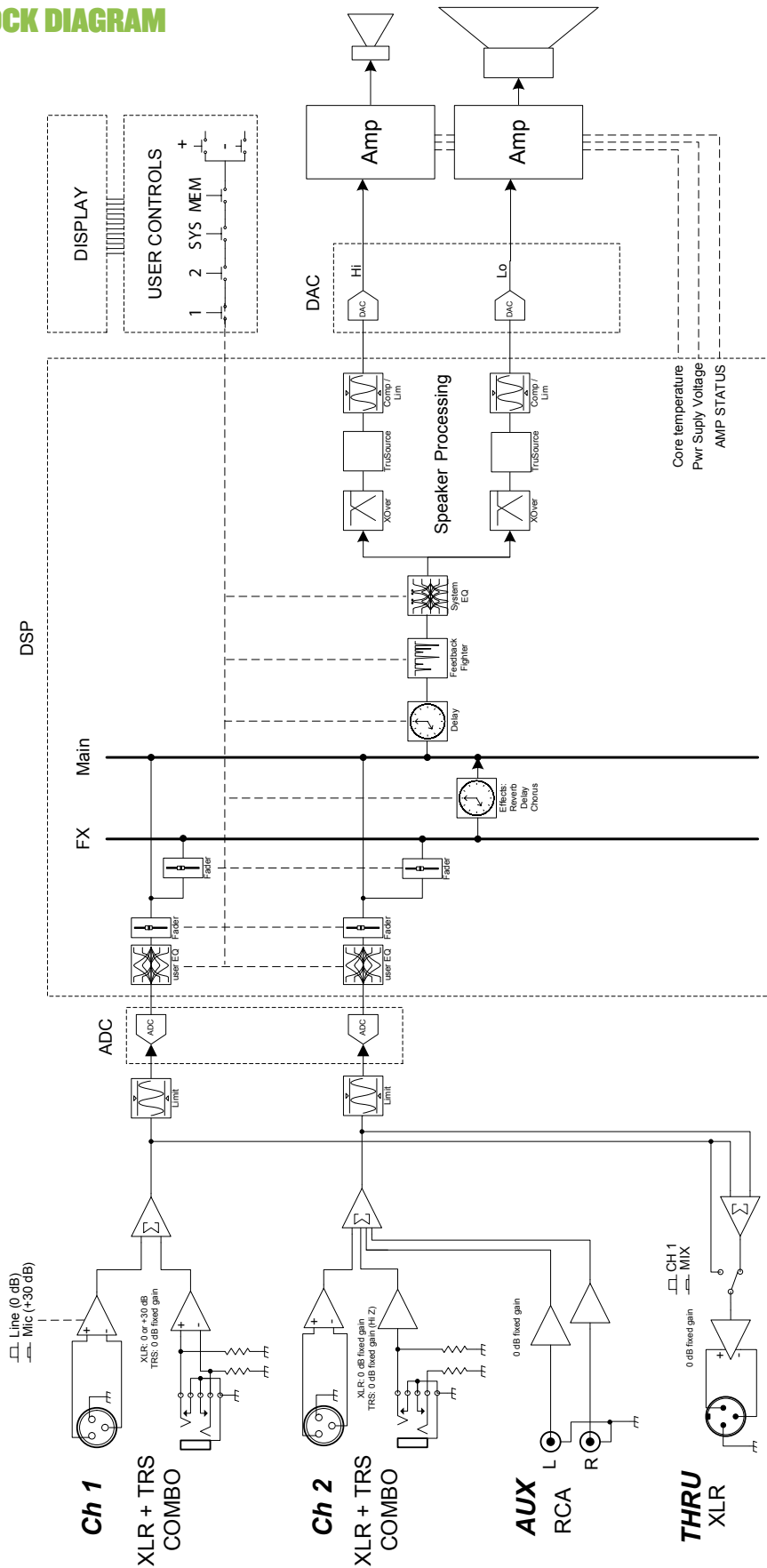
<p>THIRD ANGLE PROJECTION</p> 	<p>UNLESS OTHERWISE SPECIFIED: ALL DIMENSIONS ARE IN INCHES DUAL [MM] DIMENSIONS FOR REF ONLY</p> <p>TOLERANCE IN INCHES LINEAR <math>\pm 0.13</math> in / <math>\pm 3.3</math> mm ANGLES <math>\pm 1^\circ</math></p> <p>(X.XX) = REF DIMS NO TOLERANCE IMPLIED</p> <p>TSC = THEORETICAL SHARP CORNER</p> <p>DIMENSIONS ACROSS CENTERLINES TO BE SYMMETRICAL</p>
<p>THE INFORMATION CONTAINED HEREIN IS PROPRIETARY AND CONFIDENTIAL PROPERTY OF LOUD TECHNOLOGIES, INC. ALL RIGHTS RESERVED</p>	



### DLM8/I2 LOUDSPEAKER REAR PANEL

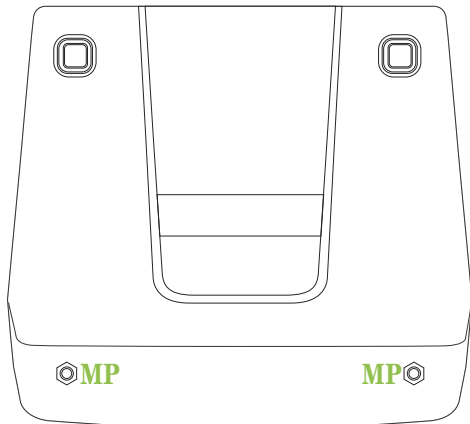
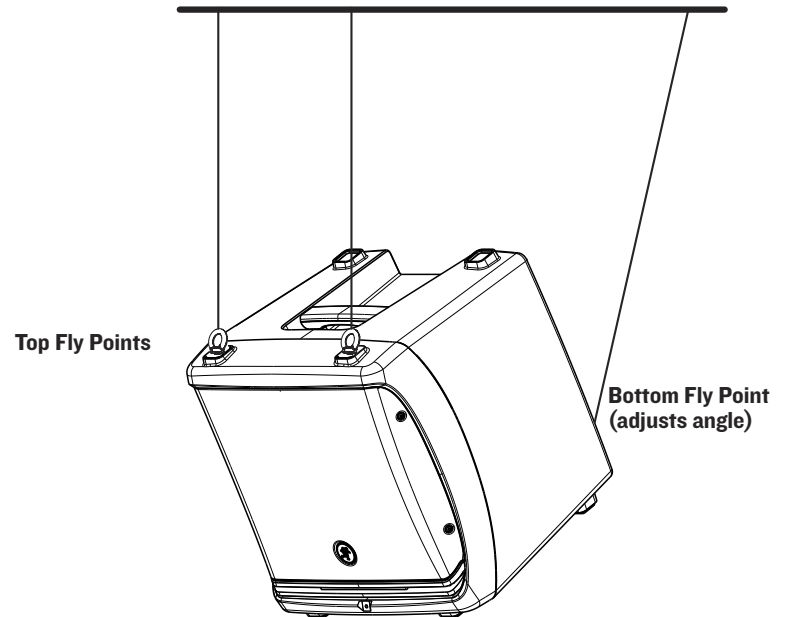
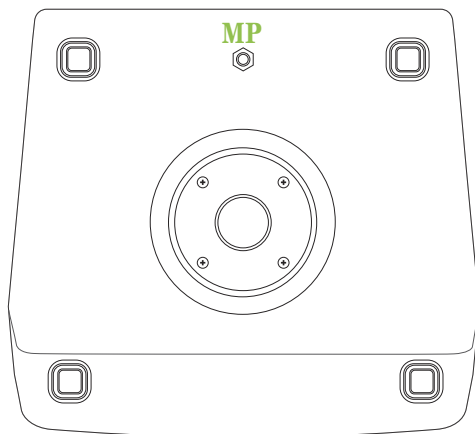
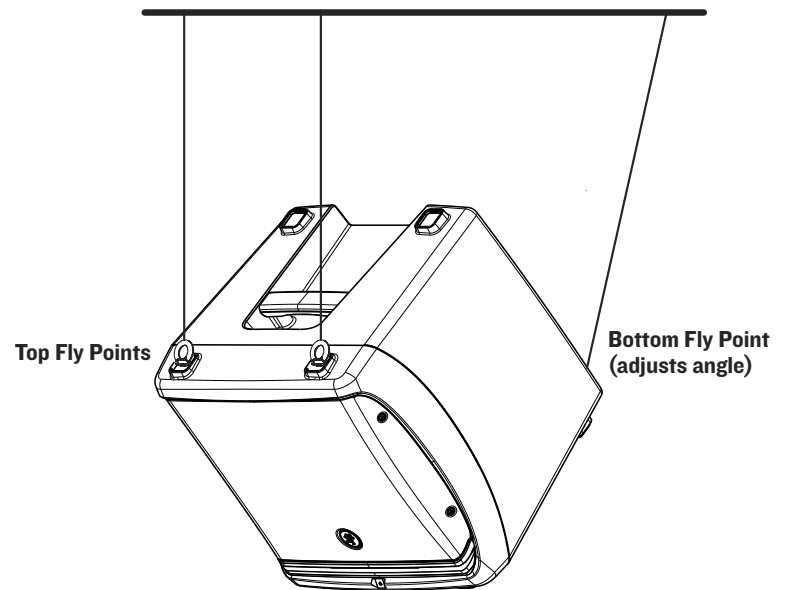


### DLM8/12 BLOCK DIAGRAM



**3 DLM8/12 FLY POINTS****FLOWN AT A 30° ANGLE**

MP = Mounting Point

**TOP****FLOWN AT A 45° ANGLE****BOTTOM**



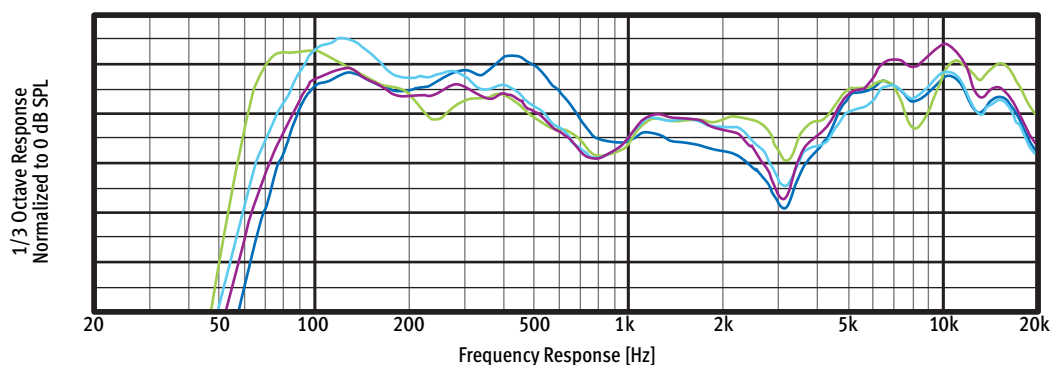
## DLM LOUDSPEAKER FREQUENCY RESPONSE LEGEND

- **PA Speaker Mode** – This mode is full range, but focuses on mid-range clarity where vocals often reside.

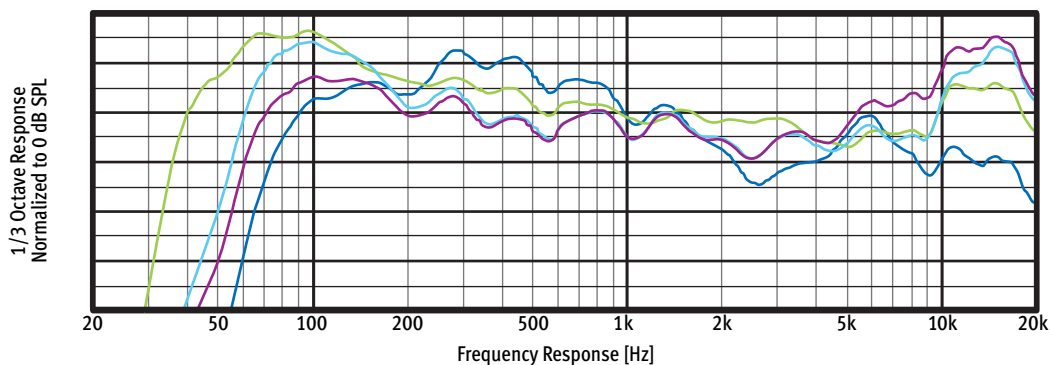
■ **Soloist Speaker Mode** – This mode features a low frequency roll-off to get rid of unwanted thumps and adds boost and sparkle to mid-range and high frequencies. This mode is perfect for plug-and-play singer-songwriters.
- **DJ Speaker Mode** – This mode bumps the lows and highs with a mild tuck to the mids, perfect for music playback.

■ **Monitor Speaker Mode** – This mode features a low frequency roll-off and a reduction around 2 kHz to ensure maximum gain before feedback in monitor applications.

## DLM8 LOUDSPEAKER FREQUENCY RESPONSE



## DLM12 LOUDSPEAKER FREQUENCY RESPONSE



LOUD Technologies Inc. is always striving to improve our products by incorporating new and improved materials, components, and manufacturing methods. Therefore, we reserve the right to change these specifications at any time without notice.

“Mackie” and the “Running Man” figure are registered trademarks of LOUD Technologies Inc. All other brands mentioned are trademarks or registered trademarks of their respective holders, and are hereby acknowledged.

©2012 LOUD Technologies Inc. All rights reserved.

Electronic files for this product are available at:  
[www.mackie.com](http://www.mackie.com)

Specification Sheet	DLM Loudspeaker_SS.PDF
Owner's Manual	DLM Loudspeaker_OM.PDF



[www.mackie.com](http://www.mackie.com)  
16220 Wood-Red Road NE  
Woodinville, WA 98072 USA  
800-898-3211, Fax 425-487-4337, [sales@mackie.com](mailto:sales@mackie.com)