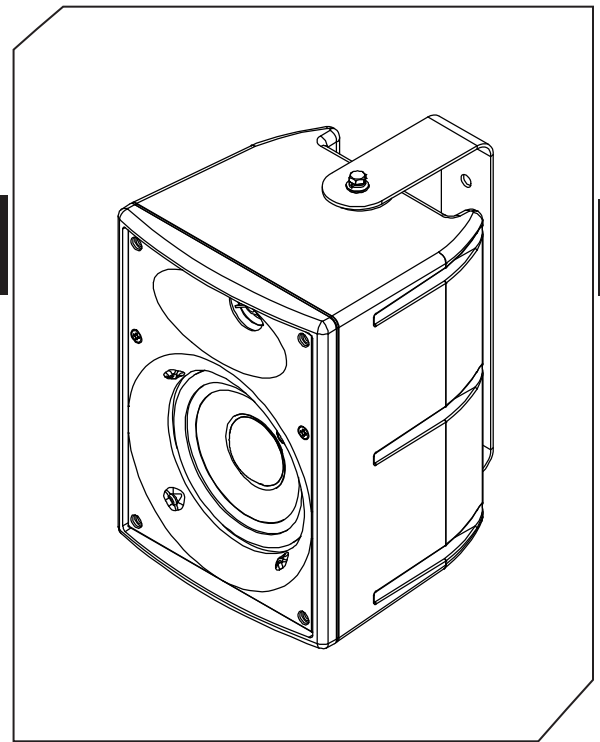


104/STH[™]

The One Systems 104/STH is a universal direct weather loudspeaker system designed for use in general purpose inland environments. The 104/STH utilizes stainless steel for all rigging points that are to be used in conjunction with optional One Systems rigging accessories, such as the PM2/M pole mount system, or PT-10/M pan/tilt bracket. The included U-Bracket and grille are both made from a structural steel coating with a highly durable dual layer zinc rich powder coating.

The 104/STH also features a configurable Hi Z or Lo Z mode. The Hi Z mode features a wide bandwidth 50-watt autoformer that presents input taps of 50 Watts, 25 Watts and 12.5 Watts. The Lo Z mode is 8-ohms. The simple configuration process is found on the third page of this data sheet, or on the One Systems web site (www.onesystems.com). The configuration scheme does not utilize any switches that limit system reliability. The Hi Z mode allows for either 70.7Vrms or 100Vrms operation.

The 104/STH is a two-way design featuring a wide coverage pattern of 110 degrees by 80 degrees. This low Q pattern is ideal for short throw applications and near field sound reinforcement applications. The elliptical wave guide provides optimal loading to the high frequency driver. The 4.5-inch nominal diameter, low frequency component features a large ferrite magnet for high sensitivity, and a treated paper cone for superior vocal reinforcement.



FEATURES & BENEFITS

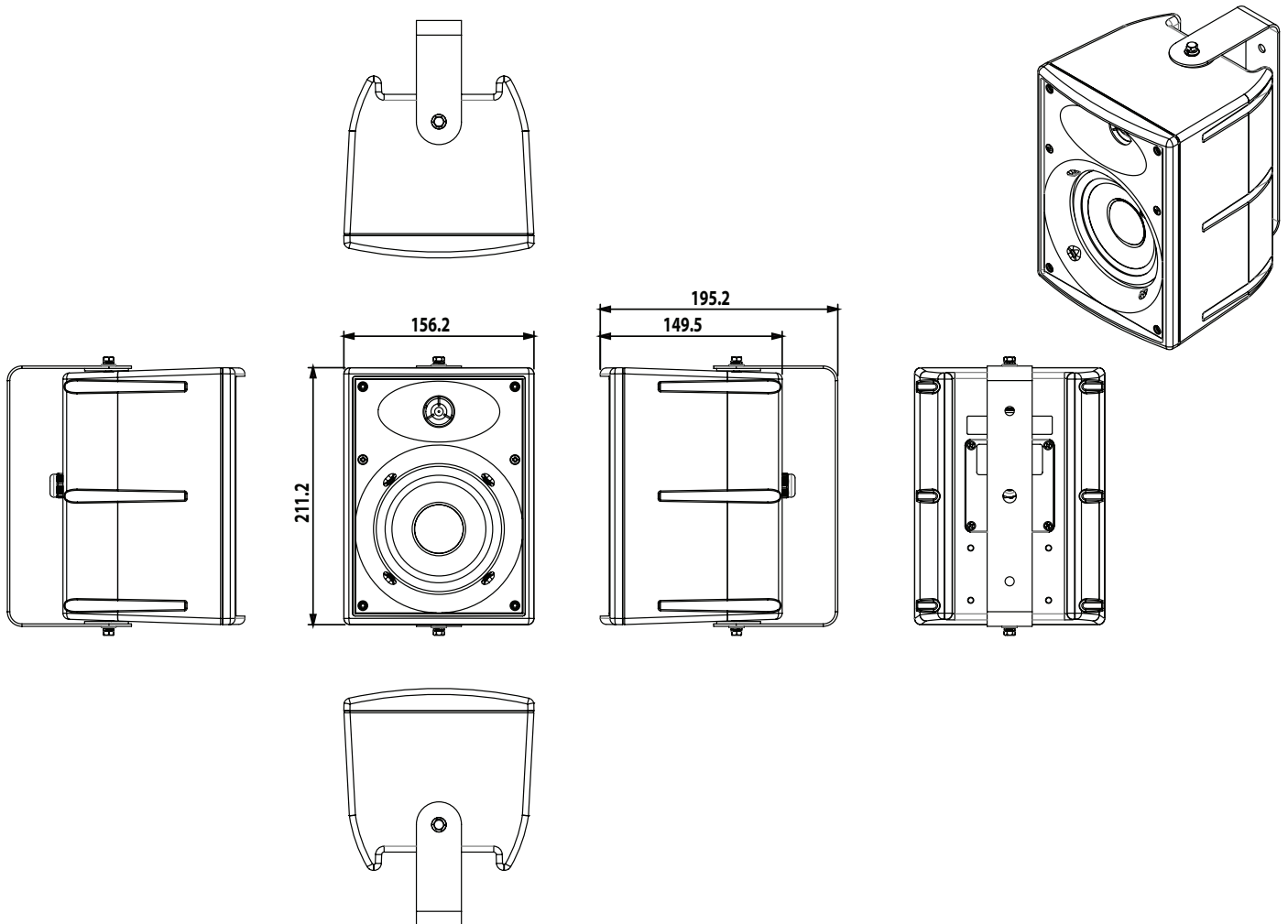
- » Stainless steel rigging points
- » Dual layer zinc rich powder coat utilized on grille and included U-Bracket
- » Combined 70.7V/100V/Direct operation
- » No performance degrading passive protection devices
- » 40 Watts continuous power handling in direct (8 ohm) operation
- » Highly suitable for inland direct weather environments
- » Optional PM2/M pole mount system and PT10/M pan/tilt bracket available
- » IEC 529 IP 56 ingress protection

SPECIFICATIONS

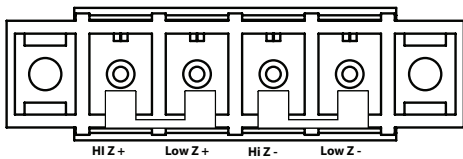
Frequency Response:	110Hz-20kHz	Size (mm):	211.2 x 156.2 x 130.5
Coverage Pattern:	110 (H) x 80 (V)	(Not including U-Bracket)	
Crossover Frequency:	1.8kHz	Size (Inches):	8.3 x 6.15 x 5.1
System Sensitivity 1w/1m:	87dB	(Not including U-Bracket)	
Power Handling:	40w		
Input Impedance (Lo Z):	8		
Input Taps (Hi Z):	50/25/12.5w		
Weight:	2.4kg, 5.3 lbs		

104/STH[™]

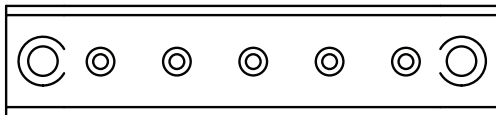
The One Systems 104/STH includes a dual layer powder coated steel U-bracket. The enclosure also features 4 M5 rigging points on the back of the enclosure. These rigging points may be used with the One Systems PT-10/M pan/tilt bracket or the PM2-M pole mount system. The enclosure is an injection molded design that utilizes a high impact copolymer material that exhibits superior weather resistance. The 104/STH cabinet is available only in grey, which has been stabilized for UV exposure. The 104/STH features a three-layer "rain shield" grille design and an input weather cover with waterproof gland nut. The overall ingress protection is rated at IP56.



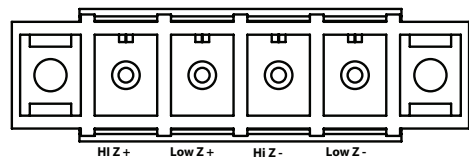
104/STH[™]



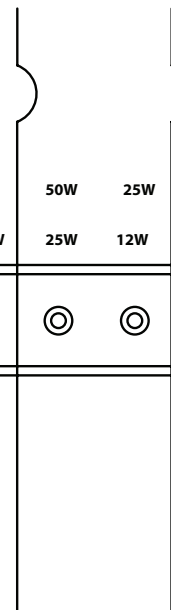
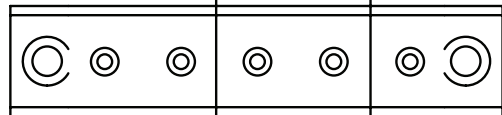
100V	⊥	NC	50W	25W	12W
70.7V	⊥	50W	25W	12W	NC



FROM HI Z
AMPLIFIER



100V	⊥	NC	50W	25W	12W
70.7V	⊥	50W	25W	12W	NC



FROM LO Z
AMPLIFIER