



**ONE SYSTEMS**<sup>®</sup>  
ACOUSTIC EXCELLENCE<sup>®</sup>

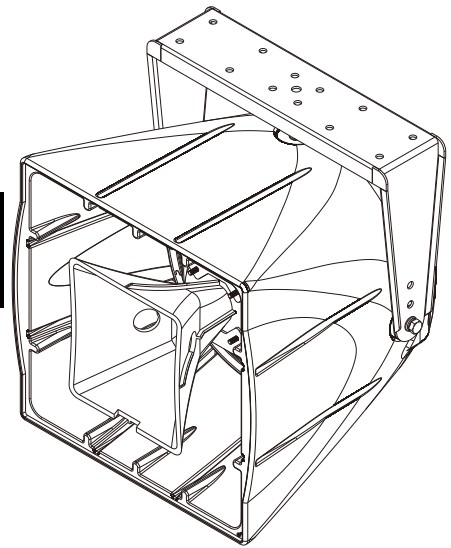
## ONE.SP12D

### OVERVIEW:

The One Systems ONE.SP12D™ is a weather-protected 12-inch two-way horn-loaded sound projector solution suitable for professional audio applications indoors or for inland environments outdoors. The system's transducers include a 12-inch woofer with a 3-inch voice coil and a 3-inch compression driver with a pure titanium diaphragm coupled to a large-sized 60° x 40° horn. Thanks to its 600 watt continuous power handling and high sensitivity, the ONE.SP12D provides high acoustic output capability, tremendous projection and installation flexibility in a reasonably-sized package. The ONE.SP12D's enclosure is made of strong, UV-resistant, molded High Density Polyethylene (HDPE). Its specially built components and use of stainless steel suspension hardware ensure long useful life and safety for direct weather applications. An optional pole mount bracket is also available for customized mounting solutions. This speaker is also available with an internal 400-watt, 3-tap autoformer (ONE.SP12T).

### PERFORMANCE:

The ONE.SP12D provides high vocal intelligibility and tremendous acoustic output capability from its compact enclosure. Its large compression driver with titanium diaphragm delivers extended response with excellent transients and permits a lower crossover frequency for a more coherent sound. Its large-sized horn provides precise pattern control and long projection capability. The woofer's specially treated cone and surround provide superior resonance damping and resistance against moisture and dry rot. The ONE.SP12D's high power handling and sensitivity provides 130 dB continuous, 136 dB peak output capability.



### FEATURES & BENEFITS

- High-performance horn-loaded 12-inch two-way speaker that provides high intelligibility and prodigious 130 dB continuous calculated output capability
- 600 watts continuous, 2,400 watts peak power handling
- High 103 dB (1 watt / 1 meter) sensitivity
- Includes robust U-Bracket made of structural steel with dual-layer, zinc-rich powder coating
- Large-sized 60° x 40° horn with superb pattern control and impressive projection
- Premium large-size transducers deliver top-class audio performance
- Stainless steel rigging points provide long-term safety and high corrosion resistance
- IP 55 direct weather rating
- Optional ONE.PMK pole mount kit available for mounting to round or square poles

One Systems, Inc.

[www.onesystems.com](http://www.onesystems.com)

tel: +1-615-823-1655

fax: +1-615-261-1429

## ONE.SP12D SPECIFICATIONS

**Frequency Response:** 90 - 14,000 Hz  $\pm$  3 dB  
**Frequency Range:** 70 - 20,000 Hz -10 dB  
**Power Handling:** 600 watts continuous  
 1,200 watts program  
 2,400 watts peak \*

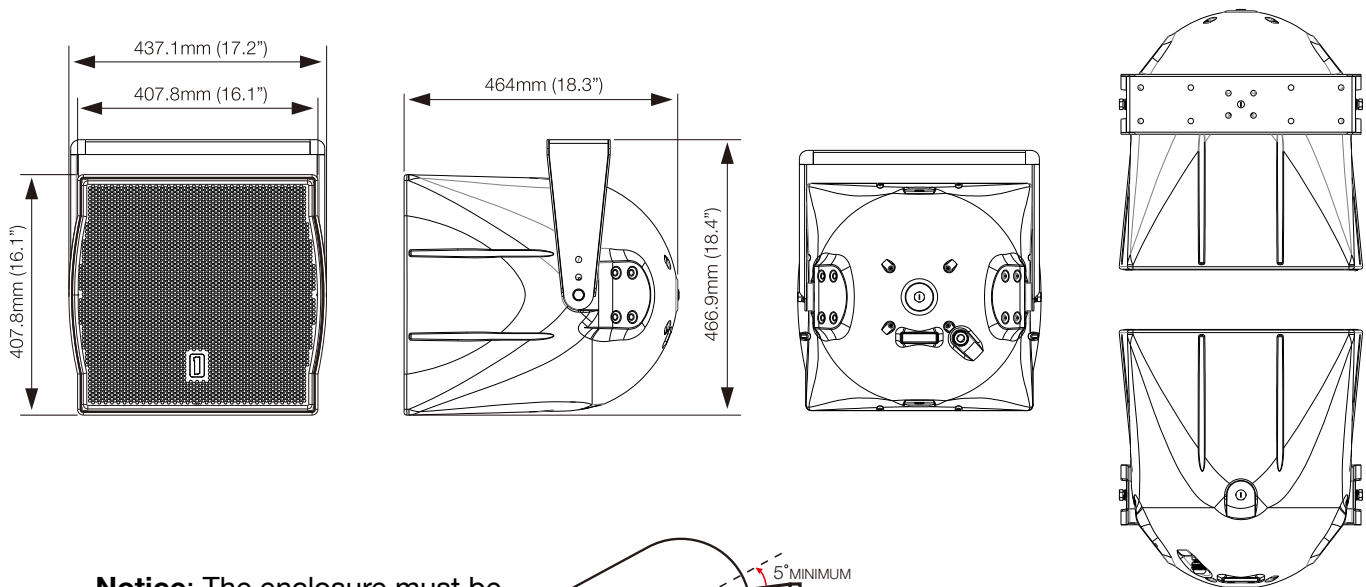
**NOTE:** All system power handling ratings are amplifier headroom dependent

**Sensitivity (1 watt @1 meter):** 103 dB  
**Calculated Output Capability:** 130 dB continuous  
 136 dB peak  
**Coverage (H x V):** 60° x 40°  
**Nominal Impedance:** 8 ohms

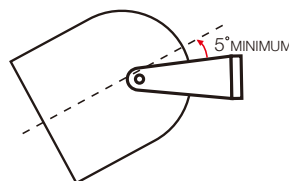
**Input Connection:** 2 m (6.6 ft) 2-conductor cable  
**LF Transducer:** 12 in / 305 mm with 3 in voice coil  
**HF Transducer:** 3 in voice coil with titanium diaphragm  
**Dimensions (H x W x D), mm:** 407.8 x 437.1 x 464 mm  
**Dimensions (H x W x D), in:** 16.1 x 17.2 x 18.3 in  
**Net Weight:** 22 kg / 48.5 lb  
**Direct Weather Performance:** IEC 529 / IP 55  
**Finish:** Gray  
**Recommended High-Pass:** 90 Hz, 24 dB Butterworth  
**Optional Accessories:**  
**Pole Mount Bracket:** ONE.PMK  
**EASE Data:** [www.onesystems.com/ease-data](http://www.onesystems.com/ease-data)

## DIRECT-WEATHER FEATURES

- \* Rotomolded enclosure is made of High-Density Polyethylene (HPDE) resin with steel reinforcements that provides very high UV, moisture and temperature resistance
- \* All rigging hardware is made of stainless steel for long-term safety and high corrosion resistance
- \* Three-layer "rain shield" grilles are made of structural steel with a marine-capable powder coating that permits use for inland outdoor applications more than 16 km / 10 miles from oceans or salt air
- \* The system is rated IEC 60529 Standard IP 55 (dust protection is provided that prevents interference with normal operation; penetration against water jets from any direction).
- \* Input weather cover with IP 68-rated gland nut prevents moisture intrusion
- \* Advanced transducer's silicon-impregnated cone and surround are designed and built to handle moisture and temperature and humidity extremes while delivering premium audio performance



**Notice:** The enclosure must be installed with the logo positioned at bottom with a minimum down-tilt of 5-degrees

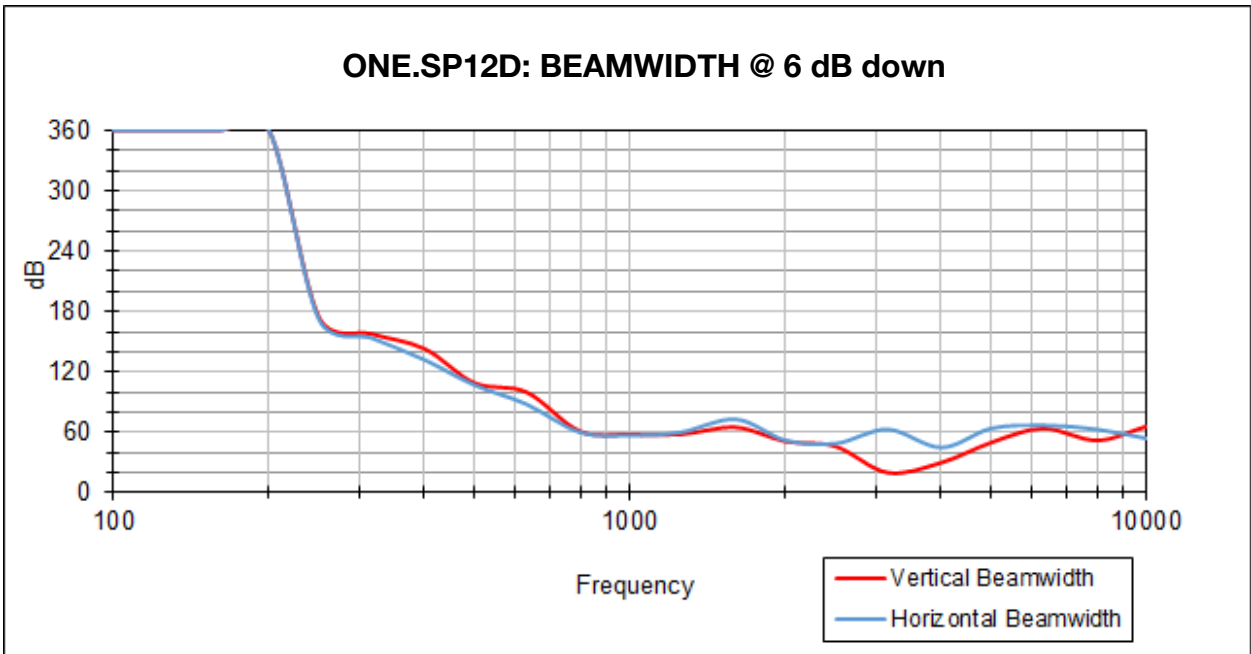
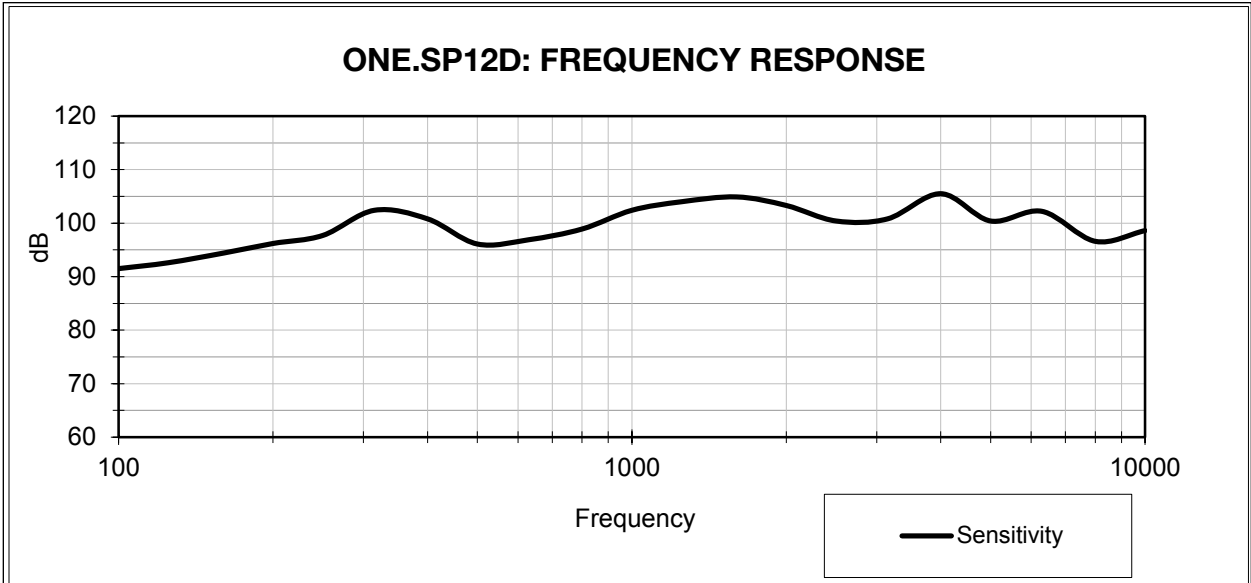


One Systems, Inc.

[www.onesystems.com](http://www.onesystems.com)

tel: +1-615-823-1655

fax: +1-615-261-1429



**NOTE: These measurements were created using EASE software, which limits the bandwidth to 100 - 10,000 Hz that is critical for full-range loudspeakers**



**ONE SYSTEMS<sup>®</sup>**  
 ACOUSTIC EXCELLENCE<sup>®</sup>

One Systems, Inc.

[www.onesystems.com](http://www.onesystems.com)

tel: +1-615-823-1655

fax: +1-615-261-1429