



ONE SYSTEMS[®]
ACOUSTIC EXCELLENCE[®]

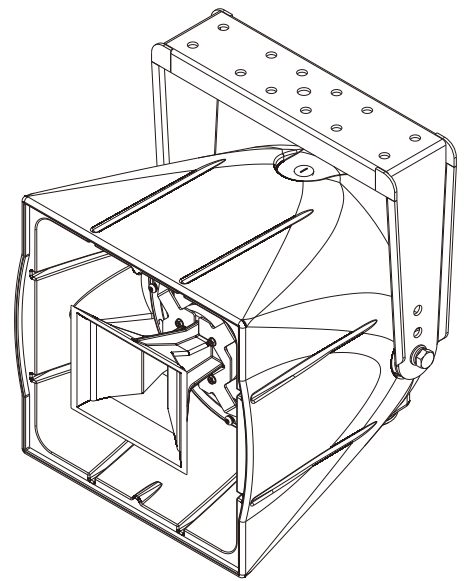
ONE.SP8

OVERVIEW:

The One Systems ONE.SP8 is a weather protected, horn-loaded medium format speaker. Its one-piece rotomolded enclosure is made of UV resistant, High-Density Polyethylene (HDPE). The enclosure is ported to aid low frequency extension, and its 8-inch woofer is horn-loaded to achieve higher output than would otherwise be possible. The enclosure is equipped with 5 x M8 stainless steel rigging points, which can be used in conjunction with the included U-Bracket for mounting to walls or ceilings. A 35 mm / 1-3/8-inch speaker pole socket is also provided for temporary setups. The grille is made from CNC punched structural steel and is coated in a two-layer zinc rich, UV resistant powder coat finish. The system's 8-inch woofer has a specially-treated cone that resists moisture and dry rotting. Its high-energy ferrite magnet ensures high output for maximum coverage. Its medium-format HF driver is equipped with a titanium diaphragm and is coupled to a large-mouthed horn that provides excellent projection and superb pattern control. When pole mounting is required, an optional pole mount kit is also available.

PERFORMANCE:

The ONE.SP8 provides high vocal intelligibility and tremendous acoustic output capability from its compact enclosure. Its 1.75-inch compression driver with titanium diaphragm delivers extended response with good transients and permits a lower crossover frequency for a more coherent sound. Its wide dispersion horn provides a big wide sound with good "throw" capability. The woofer's specially treated cone and surround provide superior resonance damping that improves its sound quality. The ONE.SP8 can deliver 119 dB of continuous output using its 150-watt tap at 70.7 or 100 volts.



FEATURES AND BENEFITS

- High-performance 8-inch two-way horn-loaded speaker with high speech intelligibility and surprising output capability from a compact enclosure
- Can be powered Lo-Z (8 ohms) or Hi-Z (70.7 or 100 volts) with selectable taps at 150, 75 or 37.5 watts
- 200 watts continuous, 800 watts peak power handling
- 90° x 40° horn provides superb pattern control and impressive projection
- Includes robust U-Bracket made of structural steel with dual-layer, zinc-rich powder coating
- Premium transducers deliver top-class audio performance
- Stainless steel rigging points provide long-term safety and high corrosion resistance
- IP 55 direct weather rating
- Optional ONE.PMK pole mount kit available for mounting to round or square poles

One Systems, Inc.

www.onesystems.com

tel: +1-615-823-1655

fax: +1-615-261-1429

ONE.SP8 SPECIFICATIONS

Frequency Response: 105 - 18,000 Hz \pm 3 dB
Frequency Range: 90 - 20,000 Hz -10 dB
Power Handling: 200 watts continuous
 400 watts program
 800 watts peak *

NOTE: All system power handling ratings are amplifier headroom dependent

Sensitivity (1 watt @1 meter): 97 dB
Calculated Output Capability: 121 dB continuous
 127 dB peak

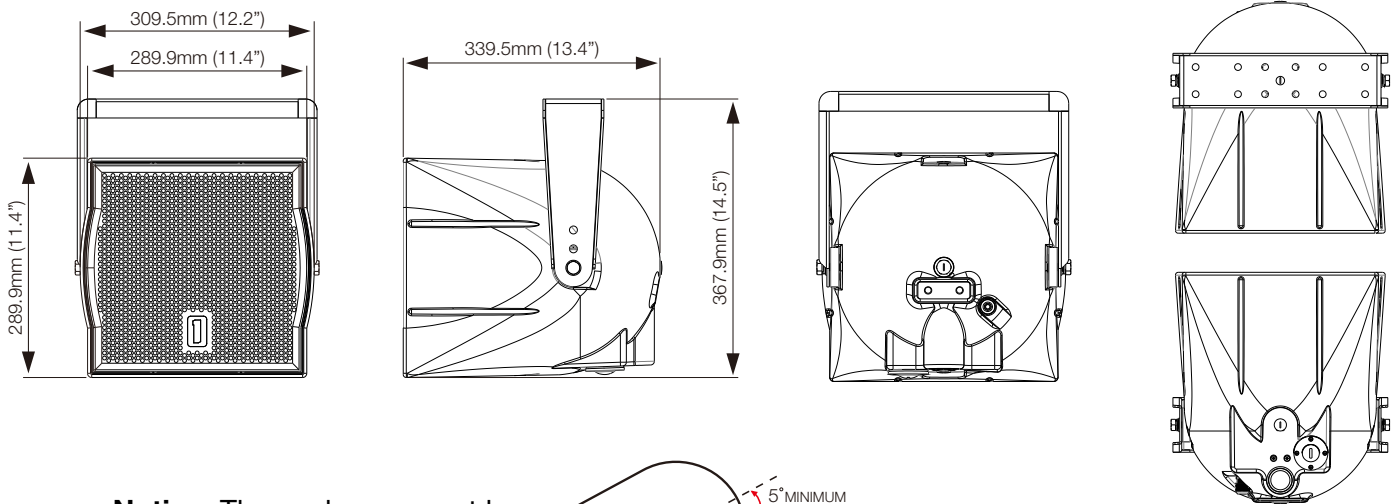
Coverage (H x V): 90° x 40°

Nominal Impedance: Can be powered as an 8-ohm load or through autoformer taps at 150, 75 and 37.5 watts @ 70.7 or 100 volts

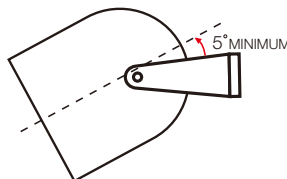
Input Connection: 2 m (6.6 ft) 5-conductor cable
LF Transducer: 8 in / 305 mm with 2 in voice coil
HF Transducer: 1.75 in voice coil with titanium diaphragm
Dimensions (H x W x D), mm: 289.9 x 309.5 x 339.5 mm
Dimensions (H x W x D), in: 11.4 x 12.2 x 13.4 in
Net Weight: 11 kg / 24.3 lb
Direct Weather Performance: IEC 529 / IP 55
Finish: Gray
Recommended High-Pass: 100 Hz, 24 dB Butterworth
Optional Accessories:
Pole Mount Bracket: ONE.PMK
EASE Data: www.onesystems.com/ease-data

DIRECT-WEATHER FEATURES

- * Rotomolded enclosure is made of High-Density Polyethylene (HPDE) resin with steel reinforcements that provides very high UV, moisture and temperature resistance
- * All rigging hardware is made of stainless steel for long-term safety and high corrosion resistance
- * Three-layer "rain shield" grille is made of structural steel with a marine-capable powder coating that permits use for inland outdoor applications more than 16 km / 10 miles from oceans or salt air
- * The system is rated IEC 60529 Standard / IP 55 (dust protection is provided that prevents interference with normal operation; penetration against water jets from any direction).
- * Input weather cover with IP 68-rated gland nut prevents moisture intrusion
- * Advanced transducer's silicon-impregnated cone and surround are designed and built to handle moisture and temperature and humidity extremes while delivering premium audio performance



Notice: The enclosure must be installed with the logo positioned at bottom with a minimum down-tilt of 5-degrees

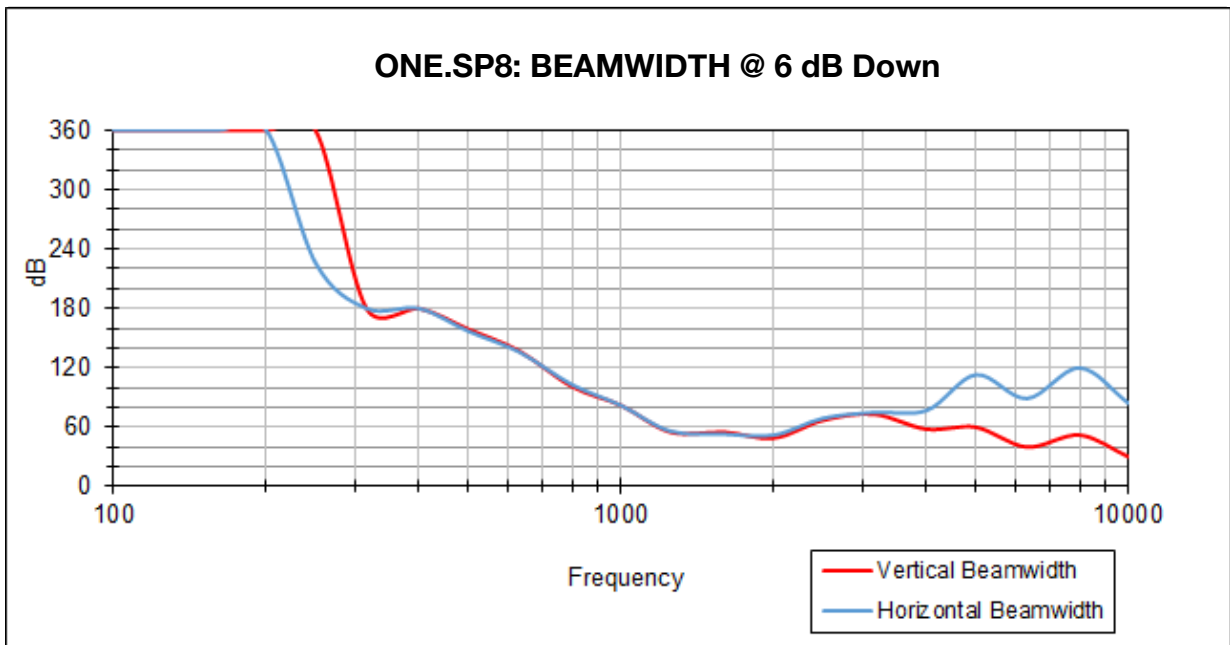
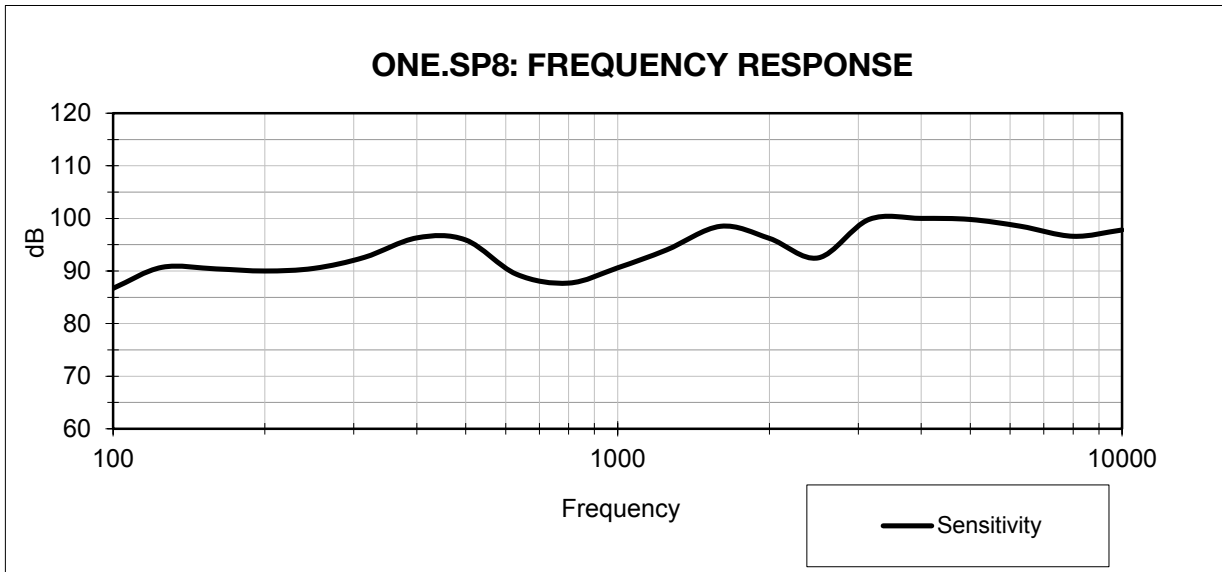


One Systems, Inc.

www.onesystems.com

tel: +1-615-823-1655

fax: +1-615-261-1429



NOTE: These measurements were created using EASE software, which limits the bandwidth to 100 - 10,000 Hz that is critical for full-range loudspeakers



ONE SYSTEMS[®]
 ACOUSTIC EXCELLENCE[®]

One Systems, Inc.

www.onesystems.com

tel: +1-615-823-1655

fax: +1-615-261-1429