

Rack Mount Surge Elimination

Premium protection and conditioning for rack equipment



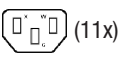


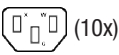





The SurgeX Rack Mount product line provides professional-grade surge elimination and power conditioning for audio, video, and security rack mount equipment. Our top-of-the-line protection is the ultimate solution to safeguard audio video systems that rely on mission critical equipment for optimal performance.

Featuring Advanced Series Mode surge elimination technology, the SurgeX Rack Mount product line safeguards sensitive equipment that relies on audio and video performance. Unlike common protection solutions, our patented protection technology is non-sacrificial and eliminates surge energy up to 6,000 volts without producing harmful side effects such as earth contamination or common-mode disturbances that can degrade the performance of AV systems. With SurgeX, your connected equipment will be protected from destructive spikes, surges, and inductive transients that can cause disruptions and catastrophic damage.

Features:

- Advanced Series Mode® surge elimination
- Eliminates surge energy up to 6,000 Volts
- Improves audio and video performance
- Provides 100% fail-safe, non-sacrificial protection
- COUVS® (Catastrophic Over/Under Voltage Shutdown), SurgeX ICE® (Inrush Current Elimination), Impedance Tolerant® EMI/RFI filtering, and thermal circuit breaker overload protection
- Remote turn-on (RT)
- Two task lamp connectors (RL)
- A-1-1 Certified

	Model Number	Plug Configuration		Description
		Input	Output	
	SX-1210i	 AS3112	 (11x) IEC	Rack Mount Surge Eliminator, 10A/230V, 1U
	SX-1210-RLi	 AS3112	 (10x) IEC	Rack Mount Surge Eliminator with two task lamp connectors, 10A/230V, 1U
	SX-1210-RTi	 AS3112	 (11x) IEC	Rack Mount Surge Eliminator with Remote, 10A/230V, 1U



AS3112

Suitable for:

- Australia
- China
- New Zealand
- Fiji
- Papa New Guinea

Rack Mount Surge Elimination

Technical Specifications	SX-1210i	SX-1210-RTi	SX-1210-RLi
Load Rating	10 Amps @ 230 Volts, 50Hz/60Hz (single phase)	10 Amps @ 230 Volts, 50Hz/60Hz (single phase)	10 Amps @ 230 Volts, 50Hz/60Hz (single phase)
Power Requirement (no load)	3 watts	6 watts	7 watts
Surge Let-Through Voltage (6000-volt surge)	0 volts	0 volts	0 volts
Safety Specification	IEC/EN 61643-1	IEC/EN 61643-1	IEC/EN 61643-1
Performance Rating	Grade A, Class 1, Mode 1	Grade A, Class 1, Mode 1	Grade A, Class 1, Mode 1
EMI/RFI Filter, Normal Mode (50-ohm load)	40dB @ 100 kHz; 50 dB @ 300 kHz; 50 dB @ 3 MHz; 50 dB @ 30 MHz	40dB @ 100 kHz; 50 dB @ 300 kHz; 50 dB @ 3 MHz; 50 dB @ 30 MHz	40dB @ 100 kHz; 50 dB @ 300 kHz; 50 dB @ 3 MHz; 50 dB @ 30 MHz
EMI/RFI Filter, Common Mode (50-ohm load)	18dB @ 300 kHz; 30 dB @ 1 MHz; 50 dB @ 5 MHz; 50 dB @ 20 MHz	18dB @ 300 kHz; 30 dB @ 1 MHz; 50 dB @ 5 MHz; 50 dB @ 20 MHz	18dB @ 300 kHz; 30 dB @ 1 MHz; 50 dB @ 5 MHz; 50 dB @ 20 MHz
Maximum Applied Surge Voltage	6000 volts	6000 volts	6000 volts
Maximum Applied Surge Current	Unlimited, due to current limiting*	Unlimited, due to current limiting*	Unlimited, due to current limiting*
Maximum Applied Surge Energy	Unlimited, due to current limiting*	Unlimited, due to current limiting*	Unlimited, due to current limiting*
Endurance (C62.41-1991 Category B3 pulses)	1 kV>500,000; 3 kV>10,000; 6 kV>1000	1 kV>500,000; 3 kV>10,000; 6 kV>1000	1 kV>500,000; 3 kV>10,000; 6 kV>1000
Undervoltage Shutdown	N/A	180 volts (auto resetting)	180 volts (auto resetting)
Overvoltage Shutdown	N/A	280 volts (auto resetting)	280 volts (auto resetting)
Maximum Load Inrush Current During Power-up	N/A	1000 Joules	1000 Joules
Remote Turn-on Applied Voltage Range	N/A	5 to 30 volts DC	5 to 30 volts DC
Remote Turn-on Current Draw	N/A	Contact Closure: 1.5 mA 5 V DC Applied Voltage: 0.1 mA 12 V DC Applied Voltage: 1.5 mA 24 V DC Applied Voltage: 5.0 mA	N/A
Auxiliary Relay Contact Rating	N/A	30 Volts at 1 Amp	
LED Output	N/A	12 volts DC, maximum 20 mA (resistor required)	
Littlite** Connectors (QTY 2)	N/A	N/A	12 volts AC, 500 mA each
Dimensions	4.5cm H x 48.3cm W x 26.7cm D 1.75" H x 19" W x 10.5" D	4.5cm H x 48.3cm W x 26.7cm D 1.75" H x 19" W x 10.5" D	4.5cm H x 48.3cm W x 26.7cm D 1.75" H x 19" W x 10.5" D
Weight	5.0 kg (11 lbs)	5.0 kg (11 lbs)	5.0 kg (11 lbs)
Temperature Range	5° to 35° C	5° to 35° C	5° to 35° C
Humidity Range	5% to 95% R.H., non-condensing	5% to 95% R.H., non-condensing	5% to 95% R.H., non-condensing

* 1.2 x 50 μ s pulse, industry standard combination wave surge, as per IEEE C62.41

** Specifications subject to change without notice.

This product, including its components and/or processes carried out thereby, are covered by one or more of the following:
U.S. Pat. No. 4,870,534. 4,870,528. 6,728,089. 6,744,613. 7,068,487. Can. Pat. No. 1,333,191. 1,332,439. Other Patents Pending.