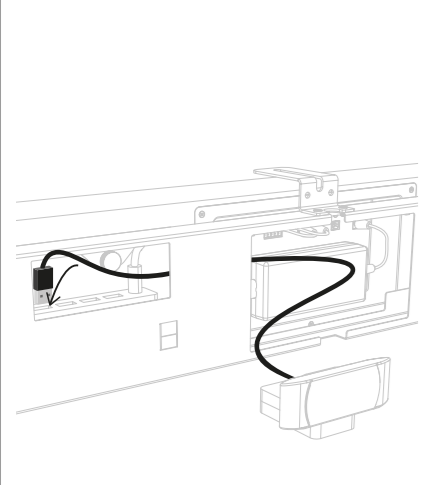


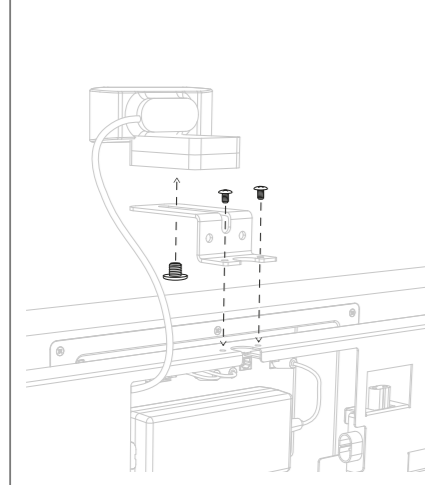
collabo - Installation Guide

Connecting

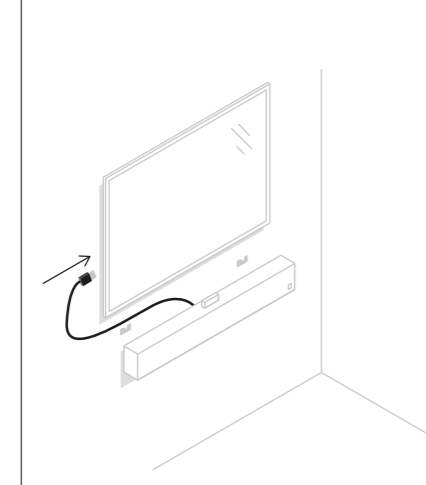
1. Plug in the USB cable from the webcam into Collabo



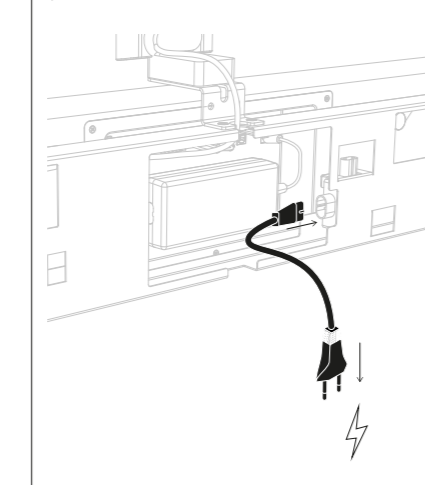
2. Mount the webcam on the bracket with the dedicated screws



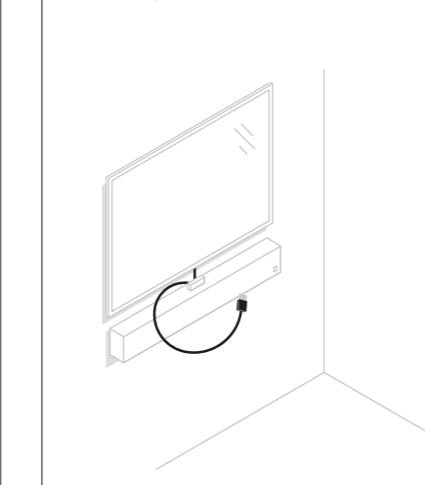
3. Connect the HDMI cable to the TV



4. Plug the power cable into Collabo and into a power outlet

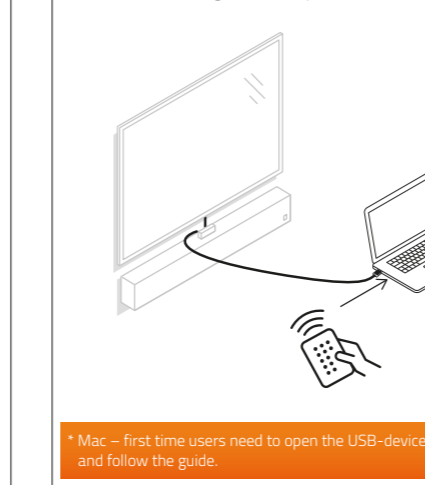


5. Lead the Laptop USB cable to the front of Collabo and place it on the wall or the shelf



First start up

1. Plug in the USB cable from Collabo to a laptop and turn on the TV on the right HDMI input*



* Mac – first time users need to open the USB-device in the "Finder" and follow the guide.

Make a test call

Launch your online meeting application and choose the following devices to be the default option.

Microphone – Logitech Webcam C930e
Camera – Logitech Webcam C930e
Speaker – HP Audio

Make a test call and ensure everything is working properly.



Congratulation
Your meeting space is now all set

 FAQ and troubleshooting go to neets.uk/collabo



Start your online meetings on time



One cable solution (USB to laptop)



Use any online meeting application



Flexible mounting options (wall or table)



Voice enhanced audio



Quick install and setup

collabo

Get **every** meeting off to a **flying** start

neets

collabo neets - 1:1 Drilling Guide

Find this guide in other languages at neets.uk/collabo



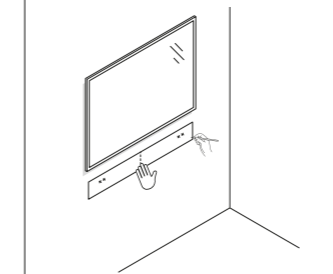
Center Line

Included in the box

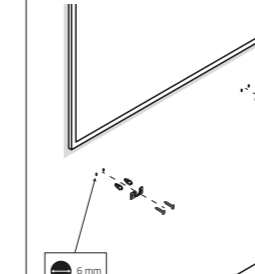
- Collabo Speaker
 - Installation guide
 - Drilling template
 - HDMI cable
 - USB cable
 - Webcam bracket
 - Power cable
- Orange box**
- Webcam
 - USB-A to USB-C adapter
 - Webcam Screw
 - Wall mount brackets
 - Screws and wall plugs
 - Rubber feet

Wall

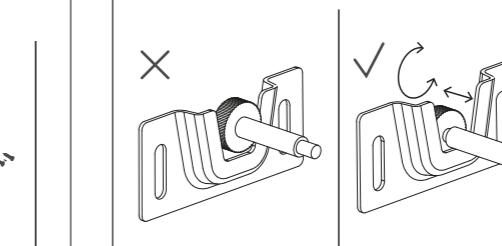
1. Hang the drilling template and mark for the bracket screws, then remove the template.



2. Mount the brackets onto the wall. Please be sure to use the appropriate type of screws for your wall type.



3. Adjust the two thumbscrews and hang Collabo carefully onto the wall. Make sure it will slide down into both brackets properly.



* Remove Collabo from the wall and do the **Connecting**-part on the following page.

Shelf

Mount the four rubber feet in each corner on the bottom of Collabo and place it on the shelf under the TV.

