



BPS6 TL SLOT CONNECTOR

IN-WALL | IN-CEILING



PRODUCT FEATURES

SKU 93367

BPS6 TL Bandpass Slot Connector with TRUFIG GRG Mounting Technology

APPLICATIONS

Designed for wall and ceiling installations

GRG platform for use with 5/8" surfaces ONLY

For installations using the Sonance BPS6 or BPS6 TL bandpass subwoofers

AESTHETICS

Zero-sightline, flush finish

Solid cast technology for a seamless transition from port opening to wall or ceiling surface

Can be primed and painted like any other gypsum finish material

Glass Fiber Reinforced Gypsum (GRG or GFRG)

Material is impact, mold and moisture resistant

ENVIRONMENT

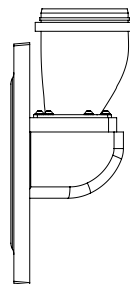
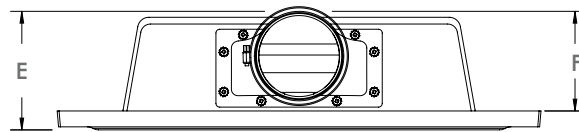
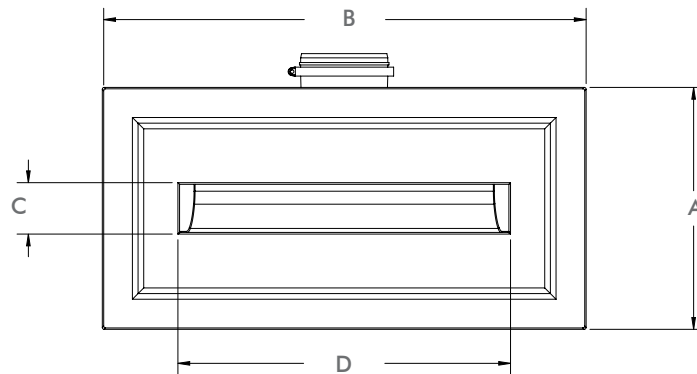
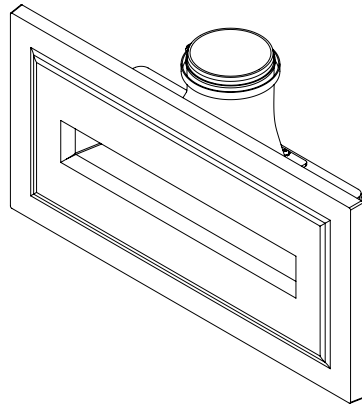
For indoor use only

Can be used in damp locations such as kitchens and bathrooms

Specifications

BPS6 TL SLOT CONNECTOR

- A. 9.12" (231mm)
- B. 15.95" (405mm)
- C. 1.7" (43mm)
- D. 11" (279mm)
- E. 4.025" (103mm)
- F. 3.3" (84mm)



15 YEAR LIMITED WARRANTY

Sonance warrants to the first end-user purchaser that this Sonance-brand Slot Connector product ("Product"), when purchased from an authorized Sonance Dealer/Distributor, will be free from defective workmanship and materials for fifteen (15) years. Sonance will at its option and expense either repair the defect or replace the Product with a new or remanufactured Product or a reasonable equivalent.

©2019 Sonance. All rights reserved. Sonance is a registered trademark of Dana Innovations.

Due to continuous product improvement, all features and specifications are subject to change without notice. For the latest Sonance product specification information visit our website: www.sonance.com

991 Calle Amanecer • San Clemente, CA 92673 USA • (949) 492-7777 • FAX: (949) 361-5151 • Technical Support: (949) 492-7777

02.14.19